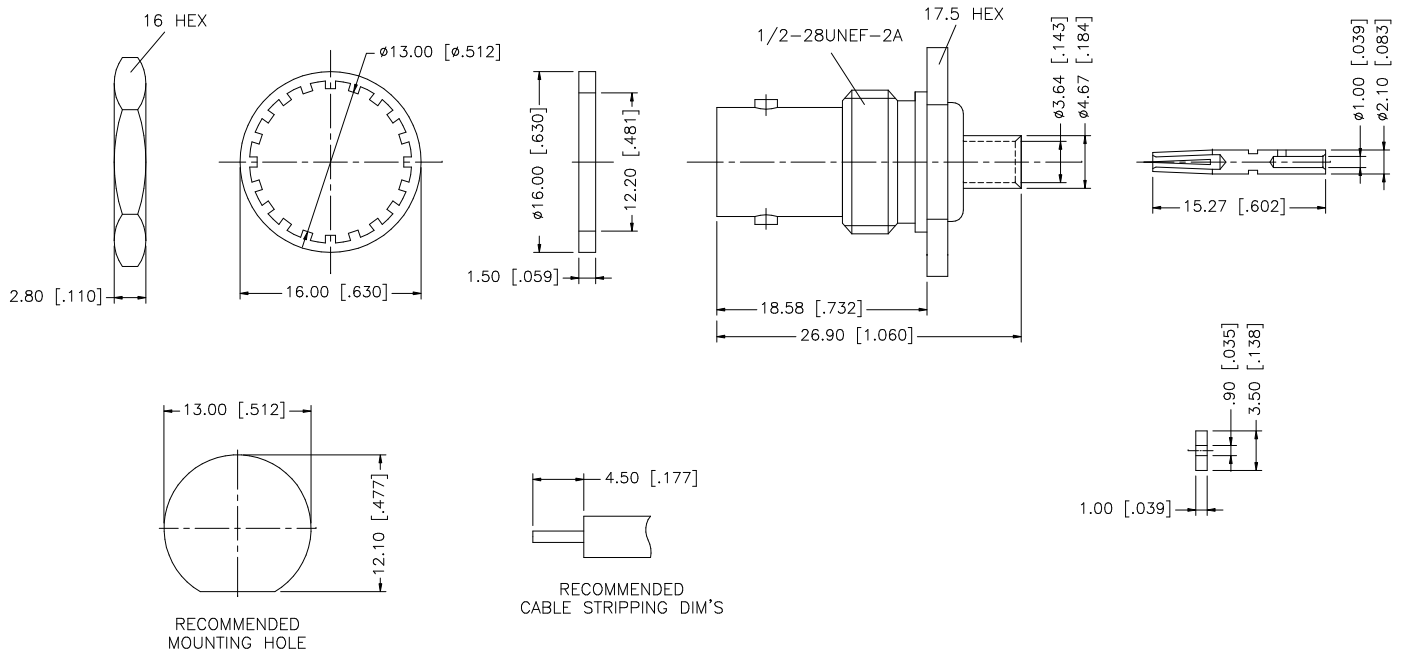


REV.	DATE	DESCRIPTION
NC	07/31/05	INITIAL RELEASE



8					APPROVALS	DATE	Amphenol Connex	
7	INSULATOR	TEFLON	NATURAL	1	DRAWN G.R.S.	07/31/05		PART DESCRIPTION BNC BULKHEAD DIRECT SOLDER JACK (.141" SEMI RIGID CABLE)
6	HEX NUT	BRASS	NICKEL	1	CHECKED		PART NO. 112581	
5	LOCK WASHER	BRASS	NICKEL	1	ISSUED			DWG. NO. 112581.DWG
4	GASKET	RUBBER	RED	1	SHEET 1 OF 1		REV. NC	
3	CONTACT PIN	PHOS. BRONZE	GOLD	1	CAD FILE	C:/112/112581.DWG	SIZE A	
2	INSULATOR	TEFLON	NATURAL	1			SCALE NA	
1	BODY/HOUSING	BRASS	NICKEL	1				
	DESCRIPTION	MATERIAL	FINISH	QTY	DO NOT SCALE DRAWING			

UNLESS OTHERWISE SPECIFIED DIMENSIONS ARE IN MILLIMETERS. DIMENSIONS IN [] ARE IN INCHES AND FOR CUSTOMER REFERENCE ONLY.

UNLESS OTHERWISE SPECIFIED TOLERANCES FOR MILLIMETERS ARE:
0.5 - 8mm ± 0.20mm
8 - 30mm ± 0.40mm
30 - 120mm ± 0.50mm

UNLESS OTHERWISE SPECIFIED TOLERANCES FOR INCHES ARE:
.020 - .315 = ± 0.007"
.315 - 1.180 = ± 0.015"
1.180 - 4.724 = ± 0.020"