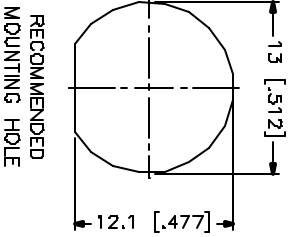
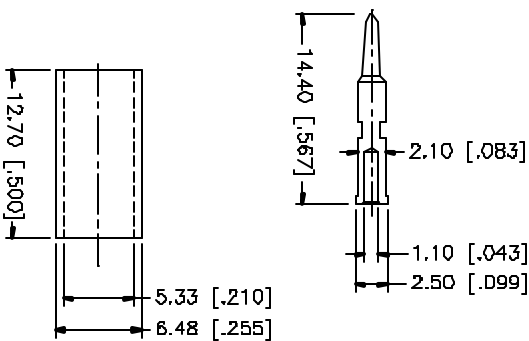
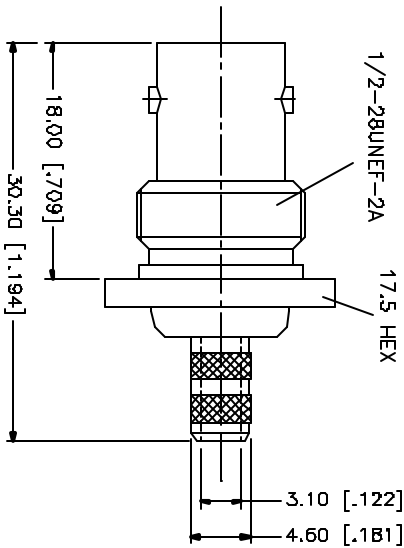
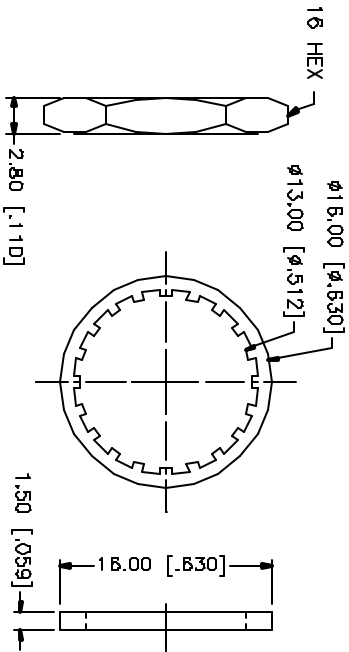
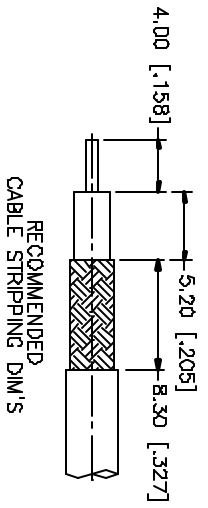


REV.	DATE	DESCRIPTION
A	11/27/02	MODIFY CONTACT PIN I.D. TO 1.1mm
B	08/15/04	REFORMAT DRAWING



CRIMP NOTES:

1. CRIMPED FERRULE
HEX CRIMP SIZE .213"
2. CRIMPED CONTACT PIN
HEX CRIMP SIZE .068"
3. MAX. PANEL THICKNESS = 3.5mm

UNLESS OTHERWISE SPECIFIED DIMENSIONS ARE IN MILLIMETERS DIMENSIONS IN [] ARE IN INCHES AND FOR DIMENSIONS REFER TO THE INCH INDEX.

UNLESS OTHERWISE SPECIFIED DIMENSIONS ARE IN MILLIMETERS DIMENSIONS IN [] ARE IN INCHES AND FOR DIMENSIONS REFER TO THE INCH INDEX.

UNLESS OTHERWISE SPECIFIED DIMENSIONS ARE IN MILLIMETERS DIMENSIONS IN [] ARE IN INCHES AND FOR DIMENSIONS REFER TO THE INCH INDEX.

DESCRIPTION	MATERIAL	FINISH	QTY	APPROVALS	DATE	PART DESCRIPTION	DRWG NO.	REV. NC	SIZE	SCALE
FERRULE	COPPER	NICKEL	1	DRWN	08/15/04	Amphenol Connex BNC REVERSE POLARIZED BULKHEAD CRIMP JACK (FOR RG58/U CABLE) 112202RP	112202RP.DWG		A	NA
HEX NUT	BRASS	NICKEL	1	CHECKED						
LOCK WASHER	BRASS	NICKEL	1	RELEAS						
GASKET	RUBBER	RED	1	SHEET	1 QF 1					
CONTACT PIN	BRASS	GOLD	1							
INSULATOR	TEFLON	NATURAL	1							
BODY	BRASS	NICKEL	1							
DESCRIPTION	MATERIAL	FINISH	QTY	DO NOT SCALE DRAWING						