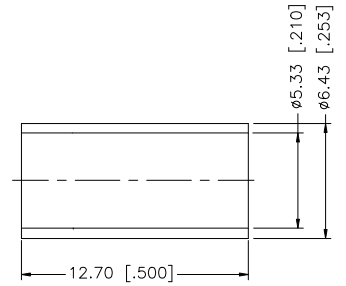
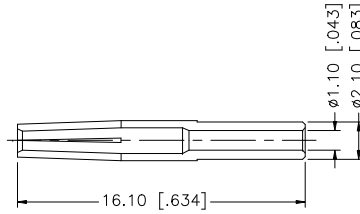
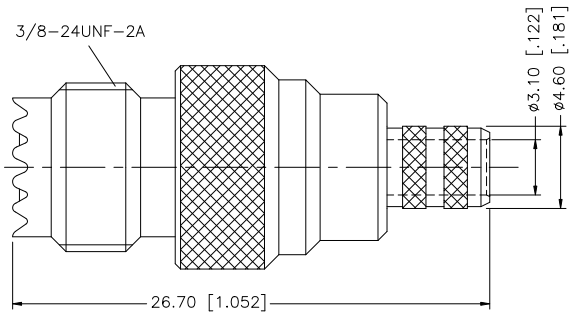
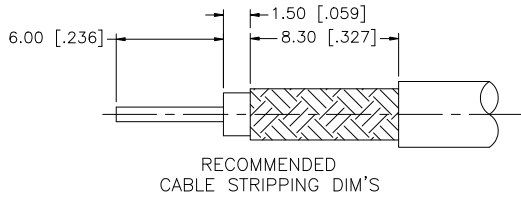


REV.	DATE	DESCRIPTION
A	01/17/00	MODIFY BODY AND CONTACT PIN
B	07/31/07	UPDATE DRAWING FORMAT



DESCRIPTION	MATERIAL	FINISH	QTY	UNLESS OTHERWISE SPECIFIED DIMENSIONS ARE IN MILLIMETERS; DIMENSIONS IN [] ARE IN INCHES AND FOR CUSTOMER REFERENCE ONLY.	APPROVALS	DATE	Amphenol Connex									
8				UNLESS OTHERWISE SPECIFIED TOLERANCES FOR MILLIMETERS ARE: 0.5 - 8mm ± 0.20mm 8 - 30mm ± 0.40mm 30 - 120mm ± 0.50mm UNLESS OTHERWISE SPECIFIED TOLERANCES FOR INCHES ARE: .020 - .315 = ± 0.007" .315 - 1.180 = ± 0.015" 1.180 - 4.724 = ± 0.020"	DRAWN	G.R.S.	07/31/07	MINI-UHF CRIMP JACK (FOR RG-58/U CABLE)								
7			CHECKED				PART DESCRIPTION									
6					ISSUED						PART NO.					
5					SHEET	1 OF 1					182112					
4	FERRULE	COPPER	NICKEL	1	CAD FILE		C:/182/182112.DWG		DWG. NO.	182112.DWG	REV.	B	SIZE	A	SCALE	NA
3	CONTACT PIN	PHOS. BRONZE	GOLD	1												
2	INSULATOR	TEFLON	NATURAL	1												
1	BODY	BRASS	NICKEL	1												
DO NOT SCALE DRAWING																