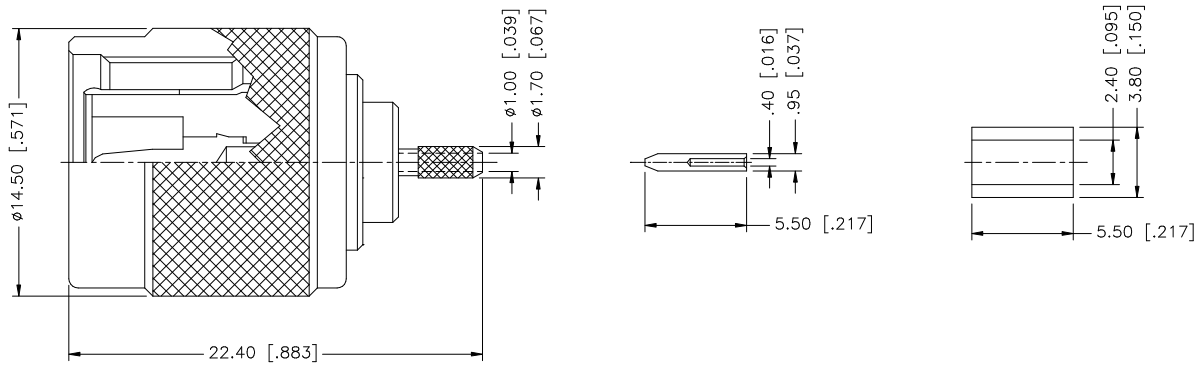
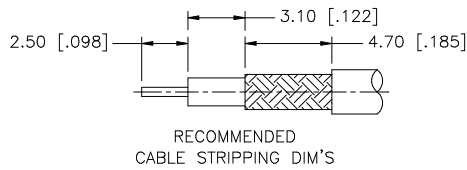


REV.	DATE	DESCRIPTION
NC	06/07/99	INITIAL RELEASE
A	03/20/07	UPDATE DRAWING FORMAT, ADD BODY X-SEC.



REV.	DATE	DESCRIPTION
NC	06/07/99	INITIAL RELEASE
A	03/20/07	UPDATE DRAWING FORMAT, ADD BODY X-SEC.

8				<small>UNLESS OTHERWISE SPECIFIED DIMENSIONS ARE IN MILLIMETERS. DIMENSIONS IN [] ARE IN INCHES AND FOR CUSTOMER REFERENCE ONLY.</small> <small>UNLESS OTHERWISE SPECIFIED TOLERANCES FOR MILLIMETERS ARE: 0.5 - 8mm ± 0.20mm 8 - 30mm ± 0.40mm 30 - 120mm ± 0.50mm</small> <small>UNLESS OTHERWISE SPECIFIED TOLERANCES FOR INCHES ARE: .020 - .315 = ± 0.007" .315 - 1.180 = ± 0.015" 1.180 - 4.724 = ± 0.020"</small>	APPROVALS	DATE	<h1 style="color: blue;">Amphenol Connex</h1>	
7					DRAWN	G.R.S.		03/20/07
6					CHECKED			
5					ISSUED			
4	FERRULE	COPPER	NICKEL		1			
3	CONTACT PIN	PHOS. BRONZE	GOLD	1				
2	INSULATOR	DELTRIN	NATURAL	1				
1	BODY	BRASS	NICKEL	1				
	DESCRIPTION	MATERIAL	FINISH	QTY	DO NOT SCALE DRAWING			

PART DESCRIPTION		TNC CRIMP PLUG (RG-178B/U, 196A/U CABLE)	
PART NO.		122429	
DWG. NO.	122429.DWG	REV.	A
SIZE	A	SCALE	NA