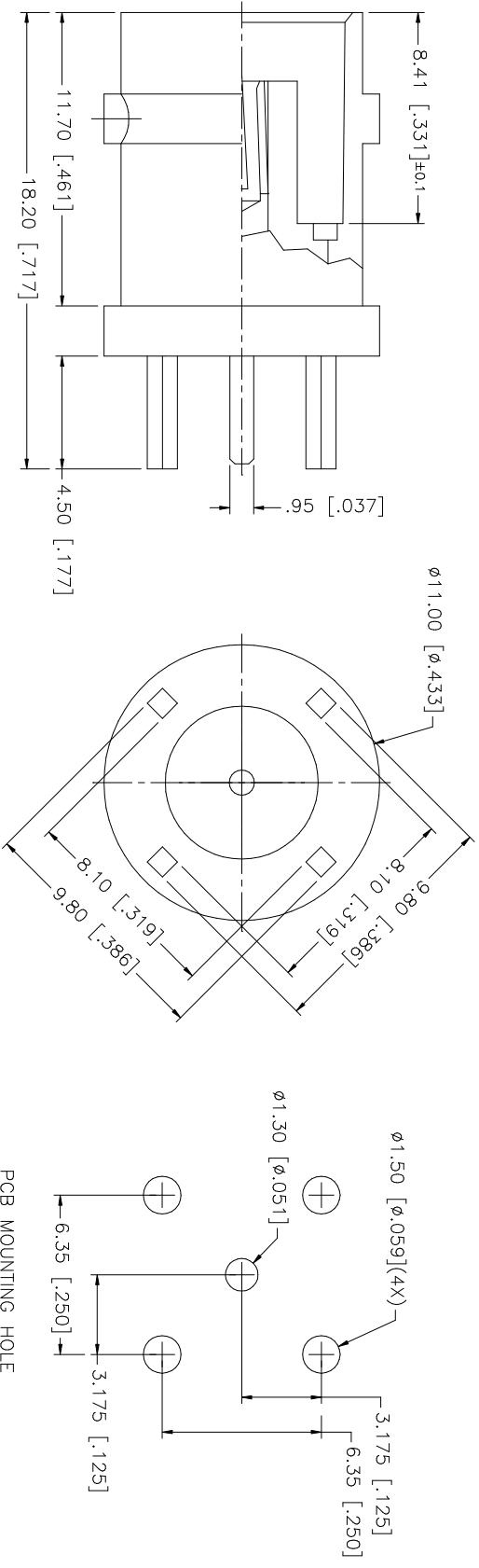


REV.	DATE	DESCRIPTION
A	01/06/03	UPDATE DRAWING FORMAT



QTY	FINISH	MATERIAL	DESCRIPTION
1	NICKEL	BRASS	LOCK RING
1	GOLD	PHOS. BRONZE	CONTACT PIN
1	NATURAL	TEFLON	INSULATOR
1	NICKEL	BRASS	BODY

UNLESS OTHERWISE SPECIFIED DIMENSIONS ARE IN INCHES DIMENSIONS SHOWN IN PARENTHESES ARE FOR CUSTOMER REFERENCE ONLY.	UNLESS OTHERWISE SPECIFIED DIMENSIONS ARE IN MILLIMETERS DIMENSIONS SHOWN IN PARENTHESES ARE FOR CUSTOMER REFERENCE ONLY.
UNLESS OTHERWISE SPECIFIED TOLERANCES FOR MILLIMETERS ARE:	UNLESS OTHERWISE SPECIFIED TOLERANCES FOR INCHES ARE:
0.5 - 8mm ± 0.20mm	.020 - .315 = ± 0.007"
8 - 30mm ± 0.40mm	.315 - 1.180 = ± 0.015"
30 - 120mm ± 0.50mm	1.180 - 4.724 = ± 0.020"

APPROVALS	DATE	CAD FILE	DWG. NO.	REV.	SIZE	SCALE
G.R.S.	01/06/03	C:/112/112404.DWG	112404.DWG	A	A	NA

PART DESCRIPTION	PART NO.
<b>Amphenol Connex</b>	112404
BNC P.C. MOUNT RECEIPT JACK	112404
50 ohm TF-4 POST	112404