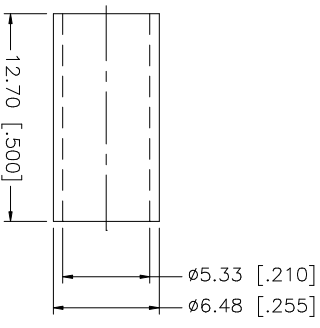
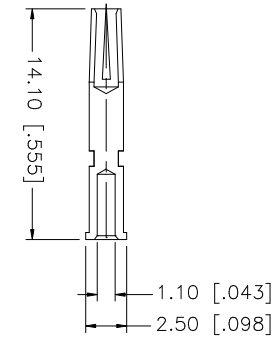
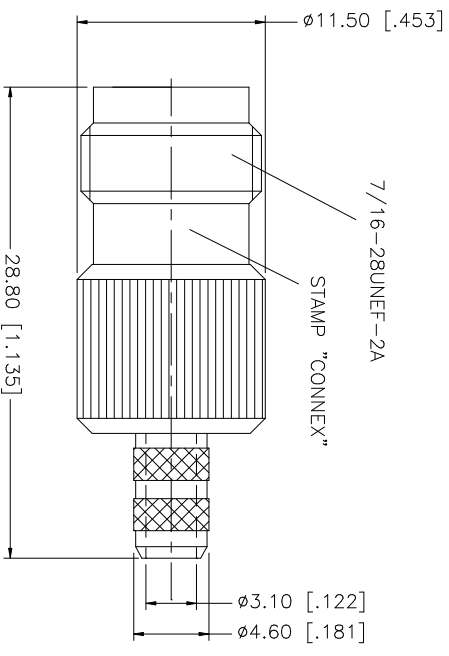
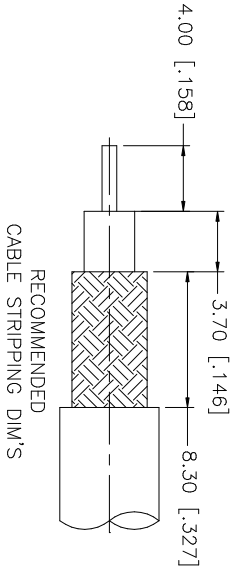


REV.	DATE	DESCRIPTION
NC	09/01/98	INITIAL RELEASE
A	05/01/04	UPDATE DRAWING FORMAT



QTY	FINISH	MATERIAL	DESCRIPTION
1	NICKEL	COPPER	FERRULE
1	NATURAL	PHOS. BRONZE	CONTACT PIN
1	NICKEL	TEFLON	INSULATOR
1	NICKEL	BRASS	BODY

UNLESS OTHERWISE SPECIFIED DIMENSIONS ARE IN MILLIMETERS, DIMENSIONS IN [ ] ARE IN INCHES AND FOR CUSTOMER REFERENCE ONLY.	UNLESS OTHERWISE SPECIFIED TOLERANCES FOR MILLIMETERS ARE:	UNLESS OTHERWISE SPECIFIED TOLERANCES FOR INCHES ARE:	APPROVALS	DATE	PART DESCRIPTION		
0.5 - 8mm ± 0.20mm	8 - 30mm ± 0.40mm	30 - 120mm ± 0.50mm	DRAWN G.R.S.	05/01/04	<p style="text-align: center;"><b>Amphenol Connex</b></p> <p style="text-align: center;">TNC CRIMP JACK</p>		
0.20 - .315 = ± 0.007"	.315 - 1.180 = ± 0.015"	1.180 - 4.724 = ± 0.020"	CHECKED				
ISSUED			SHEET 1 OF 1				
DO NOT SCALE DRAWING			CAD FILE C:/122/122122.DWG	DWG. NO. 122122.DWG	REV. A	SIZE A	SCALE NA