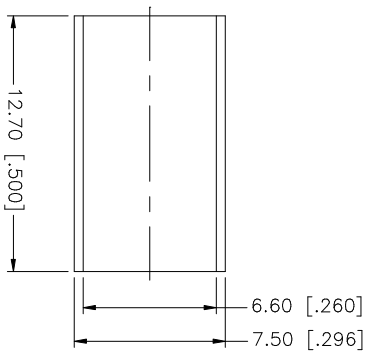
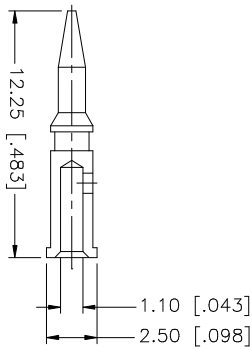
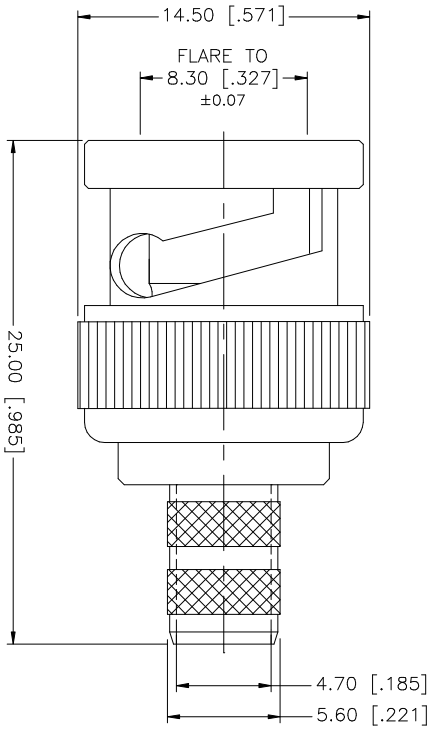
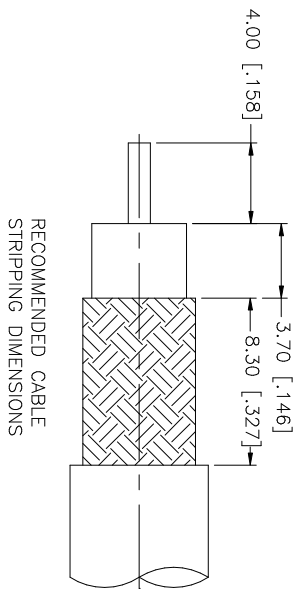


REV.	DATE	DESCRIPTION
A	11/14/97	ADD CONTACT PIN
B	07/01/04	UPDATE DRAWING FORMAT
C	02/21/06	ADD "B1695A" TO PART DESCRIPTION / ".255" HEX CRIMP



- NOTE:
1. CRIMPED FERRULE - HEX CRIMP SIZE .255"
  2. CRIMPED CONTACT PIN - HEX CRIMP SIZE .068"

**Amphenol Connex**

BNC CRIMP PLUG  
(FOR RG-6/U, B1695A PLENUM CABLE)

DESCRIPTION	MATERIAL	FINISH	QTY	UNLESS OTHERWISE SPECIFIED DIMENSIONS ARE INCHES AND FOR CUSTOMER REFERENCE ONLY. TOLERANCES FOR MILLIMETERS ARE: 0.5 - 8mm ± 0.20mm 8 - 30mm ± 0.40mm 30 - 120mm ± 0.50mm UNLESS OTHERWISE SPECIFIED DIMENSIONS FOR INCHES ARE: .020 - .315 = ± 0.007" .315 - 1.180 = ± 0.015" 1.180 - 4.724 = ± 0.020"	APPROVALS	DATE	PART DESCRIPTION	
8					DRWN	G.R.S.	02/21/06	
7					CHECKED			
6					ISSUED			
5					SHEET	1 OF 1		
4	FERRULE	COPPER	1					PART NO. 112519
3	CONTACT PIN	BRASS	1					
2	INSULATOR	DELRIIN	1					
1	BODY	BRASS	1					
DESCRIPTION				MATERIAL	FINISH	QTY	DO NOT SCALE DRAWING	
							CAD FILE	
							C:/112/112519.DWG	
							DWG. NO.	112519.DWG
							REV.	C
							SIZE	A
							SCALE	NA