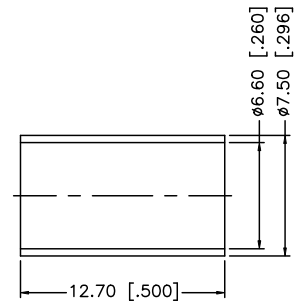
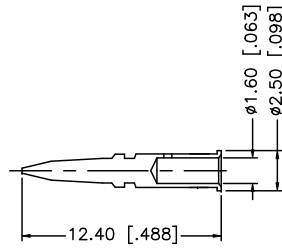
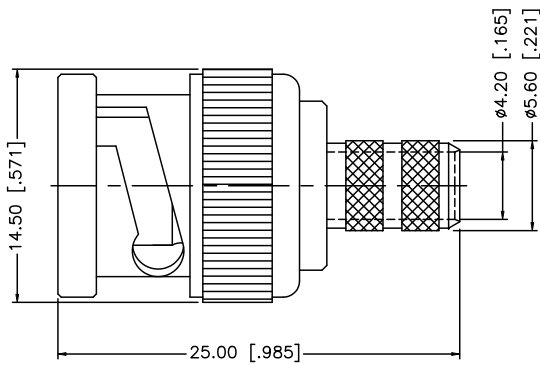
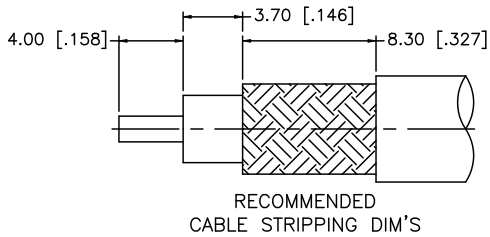


REV.	DATE	DESCRIPTION
A	11/20/97	ADD CENTER CONTACT
B	04/08/98	ADD LMR240 CABLE TO TITLE
C	12/12/06	UPDATE DRAWING FORMAT
D	04/01/08	REVISE INSULATOR TO PTFE



8					UNLESS OTHERWISE SPECIFIED DIMENSIONS ARE IN MILLIMETERS. DIMENSIONS IN [ ] ARE IN INCHES AND FOR CUSTOMER REFERENCE ONLY.	APPROVALS	DATE	<b>Amphenol Connex</b>			
7						DRAWN	G.R.S.				04/01/08
6					UNLESS OTHERWISE SPECIFIED TOLERANCES FOR MILLIMETERS ARE: 0.5 - 8mm ± 0.20mm 8 - 30mm ± 0.40mm 30 - 120mm ± 0.50mm	CHECKED			PART NO. <b>112533</b>		
5					UNLESS OTHERWISE SPECIFIED TOLERANCES FOR INCHES ARE: .020 - .315 = ± 0.007" .315 - 1.180 = ± 0.015" 1.180 - 4.724 = ± 0.020"	ISSUED					
4	FERRULE	BRASS	NICKEL	1	DO NOT SCALE DRAWING	SHEET	1 OF 1		REV. D	SIZE A	SCALE NA
3	CONTACT PIN	BRASS	GOLD	1		CAD FILE	C:/112/112533.DWG				
2	INSULATOR	PTFE	NATURAL	1							
1	BODY	BRASS	NICKEL	1							