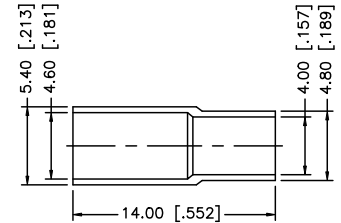
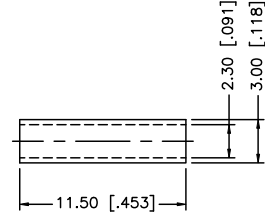
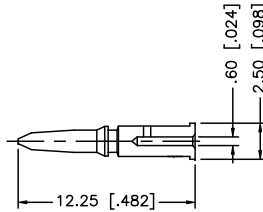
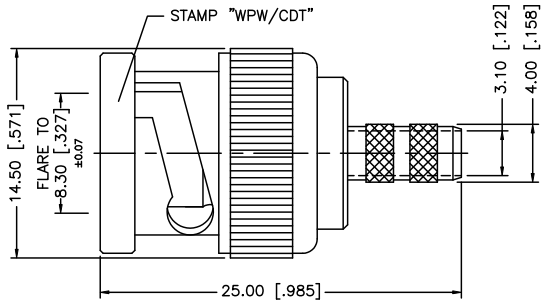
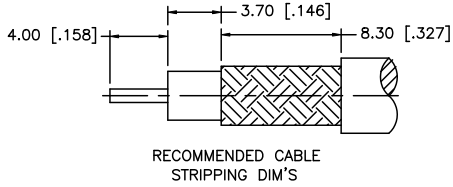


REV.	DATE	ECR NO.	DESCRIPTION
NC	05/22/03	-	INITIAL RELEASE
A	05/18/05	-	CORRECT PART NO. AND DESCRIPTION
B	10/24/06	-	ADD "75 ohm" TO DESCRIPTION
C	10/27/08	-	REVISE NOTE 1 TO .178" HEX CRIMP



NOTES:

1. CRIMPED FERRULE HEX CRIMP SIZE .178" [4.52]
2. CRIMPED CONTACT PIN HEX CRIMP SIZE .068" [1.73]

DESCRIPTION	MATERIAL	FINISH	QTY	DO NOT SCALE DRAWING	APPROVALS	DATE	<h1 style="color: blue;">Amphenol Connex</h1>
8							
7							
6	FERRULE	COPPER	NICKEL	1	DRAWN	GRS	10/27/08
5	SLEEVE	DELIRIN	NATURAL	1	CHECKED		
4	GASKET	RUBBER	RED	1	ISSUED		
3	CONTACT PIN	BRASS	GOLD	1	SHEET	1 OF 1	
2	INSULATOR	PTFE	NATURAL	1			
1	SHELL/BODY	BRASS	NICKEL	1			
					CAD FILE	C:/112/112556.DWG	
					DWG. NO.	112556.DWG	REV. C
							SIZE A
							SCALE NA

UNLESS OTHERWISE SPECIFIED DIMENSIONS ARE IN MILLIMETERS. DIMENSIONS IN [ ] ARE IN INCHES AND FOR CUSTOMER REFERENCE ONLY.

UNLESS OTHERWISE SPECIFIED TOLERANCES FOR MILLIMETERS ARE:  
 0.5 - 8mm ± 0.20mm  
 8 - 30mm ± 0.40mm  
 30 - 120mm ± 0.50mm

UNLESS OTHERWISE SPECIFIED TOLERANCES FOR INCHES ARE:  
 .020 - .315 = ± 0.007"  
 .315 - 1.180 = ± 0.015"  
 1.180 - 4.724 = ± 0.020"