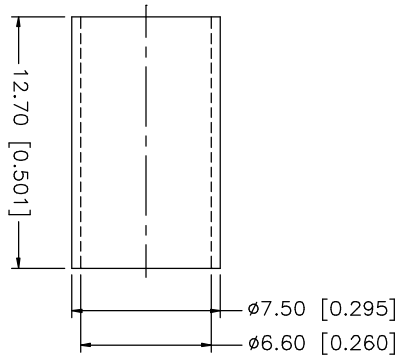
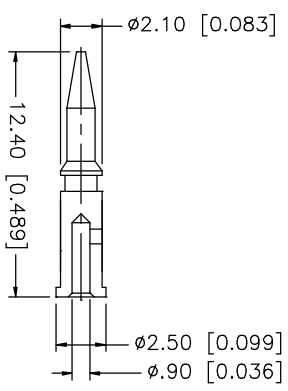
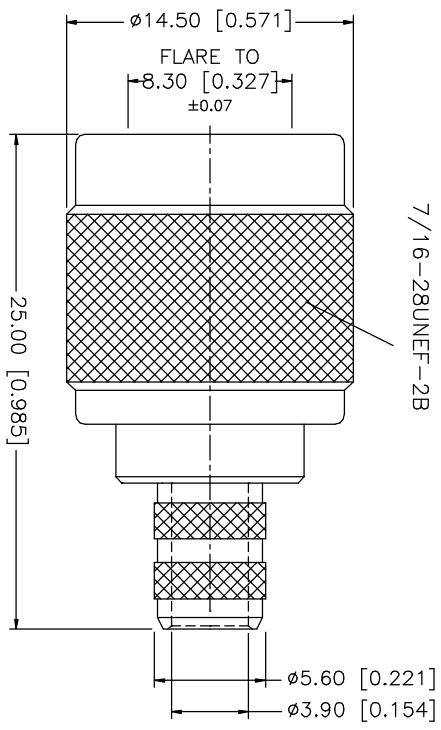
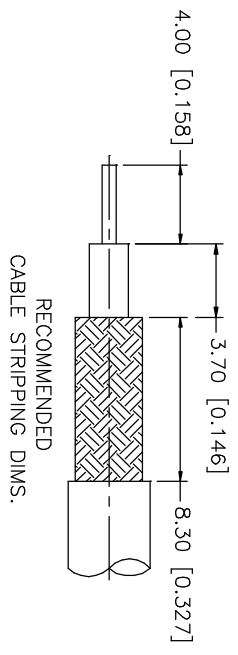


REV.	DATE	DESCRIPTION
A	06/05/03	UPDATE DRAWING FORMAT



- NOTE:
1. CRIMPED FERRULE
HEX CRIMP SIZE .255"
 2. CRIMPED CONTACT PIN
HEX CRIMP SIZE .068"

Amphenol Connex

TNC CRIMP PLUG
(FOR RG 59/U 20AWG CABLE - 75ohm)

8						UNLESS OTHERWISE SPECIFIED DIMENSIONS ARE IN MILLIMETERS, DIMENSIONS IN [] ARE IN INCHES AND FOR CUSTOMER REFERENCE ONLY.	APPROVALS	DATE	
7						UNLESS OTHERWISE SPECIFIED TOLERANCES FOR MILLIMETERS ARE:	G.R.S.	06/05/03	
6						0.5 - 8mm ± 0.20mm	CHECKED		
5						8 - 30mm ± 0.40mm	ISSUED		
4	FERRULE	COPPER	NICKEL	1		30 - 120mm ± 0.50mm	SHEET	1 OF 1	
3	CONTACT PIN	BRASS	GOLD	1		UNLESS OTHERWISE SPECIFIED TOLERANCES FOR INCHES ARE:			
2	INSULATOR	DELNIN	NATURAL	1		.020 - .315 = ± 0.007"			
1	BODY	BRASS	NICKEL	1		.315 - 1.180 = ± 0.015"			
						1.180 - 4.724 = ± 0.020"			
	DESCRIPTION	MATERIAL	FINISH	QTY		DO NOT SCALE DRAWING	CAD FILE		
							C:/122/122426.DWG		
							DWG. NO.	122426.DWG	REV. A
									SIZE A
									SCALE NA