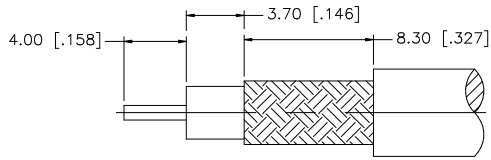
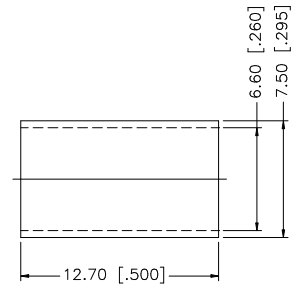
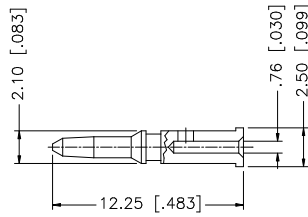
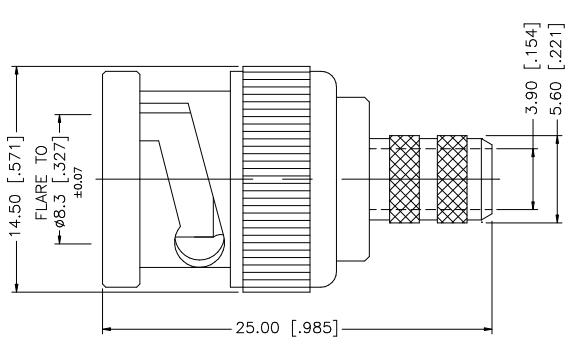


REV.	DATE	DESCRIPTION
NC	11/14/00	INITIAL RELEASE
A	05/01/04	UPDATE DRAWING FORMAT
B	11/21/06	ADD CABLE CALL OUT TO DESCRIPTION



RECOMMENDED CABLE STRIPPING DIM'S



CRIMP NOTES:

1. CRIMPED FERRULE
HEX CRIMP SIZE .255"
2. CRIMPED CONTACT PIN
HEX CRIMP SIZE .068"

REV.	DATE	DESCRIPTION
8		
7		
6		
5		
4		
3		
2		
1		

UNLESS OTHERWISE SPECIFIED DIMENSIONS ARE IN MILLIMETERS. DIMENSIONS IN [] ARE IN INCHES AND FOR CUSTOMER REFERENCE ONLY.				APPROVALS	DATE	<h1 style="color: blue; margin: 0;">Amphenol Connex</h1>			
UNLESS OTHERWISE SPECIFIED TOLERANCES FOR MILLIMETERS ARE: 0.5 - 8mm ± 0.20mm 8 - 30mm ± 0.40mm 30 - 120mm ± 0.50mm				DRAWN G.R.S.	11/21/06				
UNLESS OTHERWISE SPECIFIED TOLERANCES FOR INCHES ARE: .020 - .315 = ± 0.007" .315 - 1.180 = ± 0.015" 1.180 - 4.724 = ± 0.020"				CHECKED					
DO NOT SCALE DRAWING				ISSUED					
				SHEET 1 OF 1					
				CAD FILE	C:/112/112119.DWG	<p style="text-align: center;">BNC CRIMP PLUG (FOR RG-59/U - 75ohm CABLE)</p>			
				PART DESCRIPTION		<p style="text-align: center;">112119</p>			
				PART NO.					
				DWG. NO.	112119.DWG	<table border="1" style="width: 100%; border-collapse: collapse;"> <tr> <td>REV. B</td> <td>SIZE A</td> <td>SCALE NA</td> </tr> </table>	REV. B	SIZE A	SCALE NA
REV. B	SIZE A	SCALE NA							