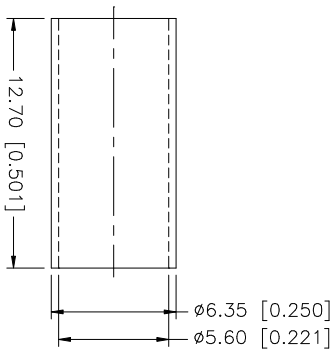
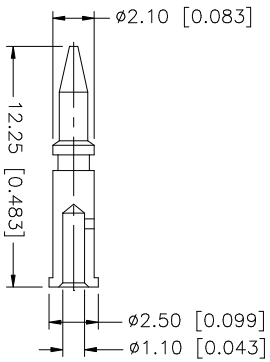
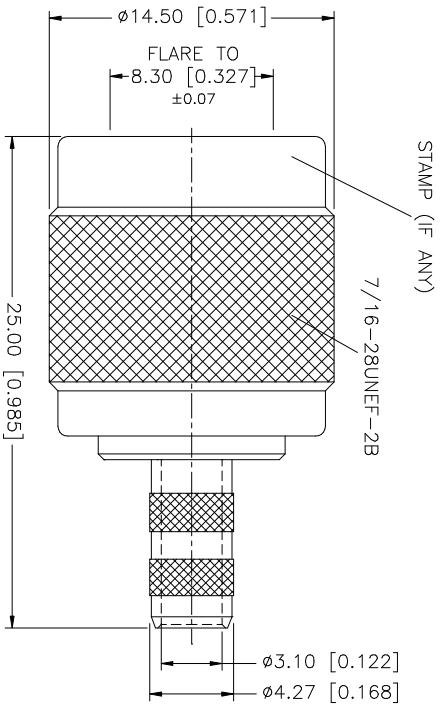
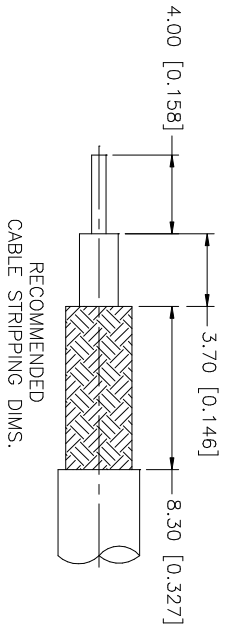


REV.	DATE	DESCRIPTION
A	12/23/02	MODIFY CONTACT PIN LENGTH



- NOTE:
1. CRIMPED FERRULE
HEX CRIMP SIZE .213"
 2. CRIMPED CONTACT PIN
HEX CRIMP SIZE .068"

QTY	FINISH	MATERIAL	DESCRIPTION
1	NICKEL	COPPER	FERRULE
1	RED	RUBBER	GASKET
1	NATURAL	DELRIN	INSULATOR
1	GOLD	BRASS	CONTACT PIN
1	NICKEL	BRASS	SHELL/BODY

UNLESS OTHERWISE SPECIFIED DIMENSIONS ARE IN MILLIMETERS DIMENSIONS IN [] ARE IN INCHES AND FOR CUSTOMER REFERENCE ONLY.	UNLESS OTHERWISE SPECIFIED TOLERANCES FOR MILLIMETER DIMS	UNLESS OTHERWISE SPECIFIED TOLERANCES FOR INCH DIMS
0.5 - 8mm ± 0.20mm	8 - 30mm ± 0.40mm	30 - 120mm ± 0.50mm
.020 - .315 = ± 0.007"	.315 - 1.180 = ± 0.015"	1.180 - 4.724 = ± 0.020"

APPROVALS	DATE	PART DESCRIPTION
DRAWN G.R.S.	12/23/02	TNC CRIMP PLUG (FOR RG-55/U,142A/U,223/U,400/U CABLE)
CHECKED		
ISSUED		
SHEET 1 OF 1		PART NO. 122372

CAD FILE	DWG. NO.	REV.	SIZE	SCALE
C:/122/122372.DWG	122372.DWG	A	A	NA

Amphenol Connex

TNC CRIMP PLUG
(FOR RG-55/U,142A/U,223/U,400/U CABLE)

PART NO. 122372