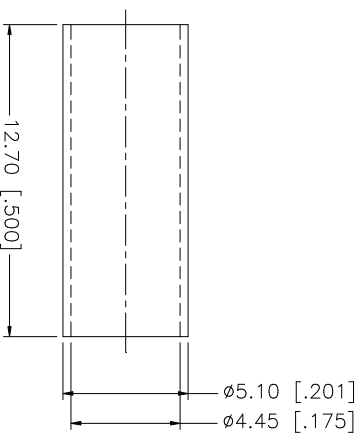
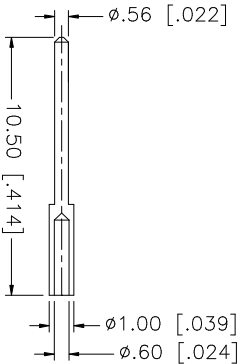
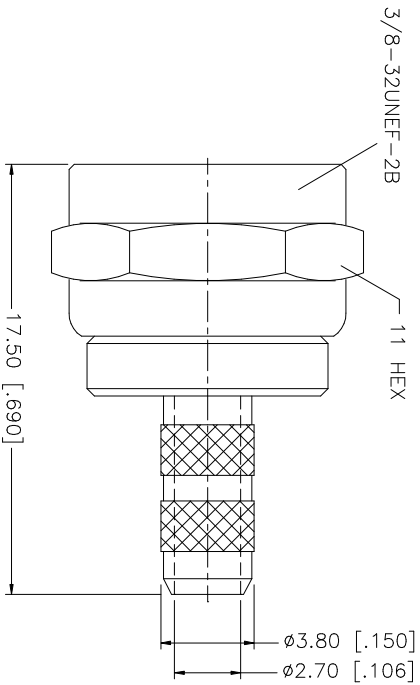
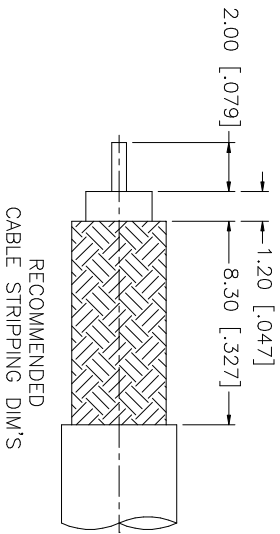



REV.	DATE	DESCRIPTION
A	04/31/03	UPDATE DRAWING FORMAT



8					UNLESS OTHERWISE SPECIFIED DIMENSIONS ARE IN MILLIMETERS. DIMENSIONS IN [] ARE IN INCHES AND FOR CUSTOMER REFERENCE ONLY.	APPROVALS	DATE	 <p>F CRIMP PLUG (FOR BELDEN 8218 CABLE)</p>
7				UNLESS OTHERWISE SPECIFIED TOLERANCES FOR MILLIMETERS ARE:	DRAWN	G.R.S.	04/31/03	
6				0.5 - 8mm ± 0.20mm	CHECKED			
5				8 - 30mm ± 0.40mm	ISSUED			
4	FERRULE	BRASS	NICKEL	30 - 120mm ± 0.50mm	SHEET	1 OF 1		
3	CONTACT PIN	BRASS	GOLD	UNLESS OTHERWISE SPECIFIED TOLERANCES FOR INCHES ARE:	CAD FILE			
2	INSULATOR	TEFLON	NATURAL	0.20 - .315 = ± 0.007"	DWG. NO.	222126.DWG		
1	BODY	BRASS	NICKEL	.315 - 1.180 = ± 0.015"	REV.	A		
				1.180 - 4.724 = ± 0.020"	SIZE	A		
	DESCRIPTION	MATERIAL	FINISH	QTY	SCALE	NA		
					DO NOT SCALE DRAWING			