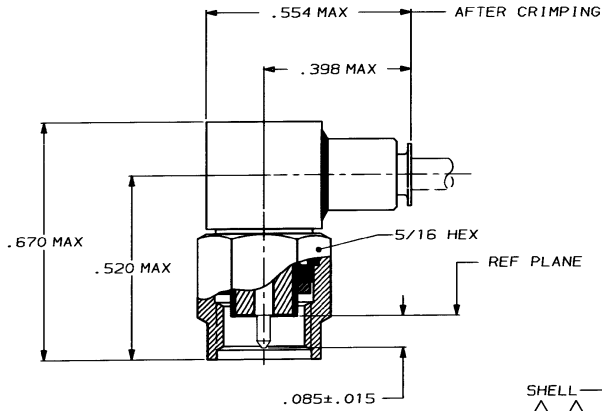


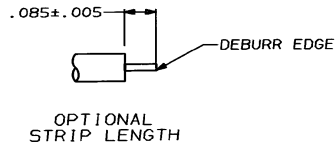
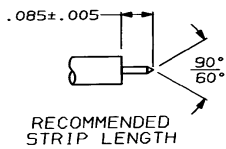
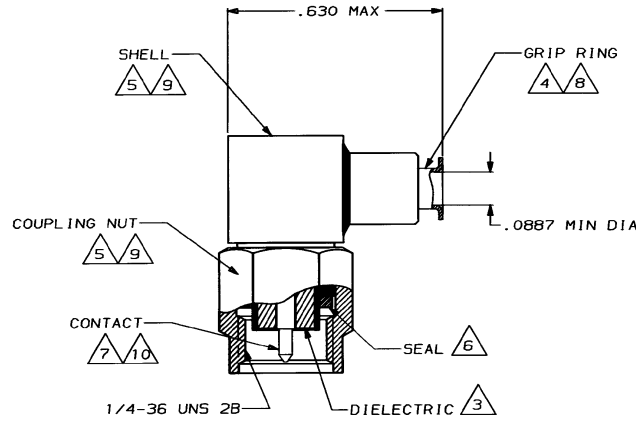
DRAWING MADE IN THIRD ANGLE PROJECTION

THIS DRAWING IS UNPUBLISHED. RELEASED FOR PUBLICATION .19  
 © COPYRIGHT 19 BY AMP INCORPORATED, HARRISBURG, PA. ALL INTERNATIONAL RIGHTS RESERVED. AMP PRODUCTS MAY BE COVERED BY U.S. AND FOREIGN PATENTS AND/OR PATENTS PENDING.

LOC		DIST		REVISIONS				
AJ	16	P	F	ZONE	LTR	DESCRIPTION	DATE	APPROVED
					C	REV & REDRAWN PER AJ-2627	12-7-87	RR/DH
					D	REV PER AJ-3649	2-15-88	CB



1. FOR USE WITH: RG-405/U, .086 SEMI RIGID CABLE
2. SEE I.S. 6788
3. PTFE PER MIL-P-19468
4. BRASS PER MIL-C-50
5. STAINLESS STEEL PER ASTM-A-582
6. SILICONE RUBBER PER ZZ-R-765
7. BERYLLIUM COPPER PER QQ-C-530
8. NICKEL PL PER QQ-N-290
9. PASSIVATION PER QQ-P-35
10. GOLD PL PER MIL-G-45204
11. .500 MIN LENGTH OF STRAIGHT CABLE REQUIRED TO APPLY THE CONNECTOR
12. 00779 M39012/80-3307



228583-1  
PART NO

UNLESS OTHERWISE SPECIFIED DIMENSIONS ARE IN INCHES TOLERANCES ON: 2 PL DEC ± 3 PL DEC ± ANGLES ±	DR R. RUTH 12-7-87 CHK D. HEIDE 12-7-87 APPR M. WALMSLEY 12-8-87 APPD R. RUTH 12-10-87 PRODUCT SPEC 108-12055	AMP INCORPORATED Harrisburg, Pa. 17105
MATERIAL THRU 10	APPLICATION SPEC	NAME PLUG, RIGHT ANGLE, MIL-F, SERIES SMA
FINISH THRU 10	WEIGHT	SIZE C FSCM NO 00779 DRAWING NO 228583-1
		SCALE 5:1 SHEET 1 OF 1

CUSTOMER DRAWING

228583-1

A