

4

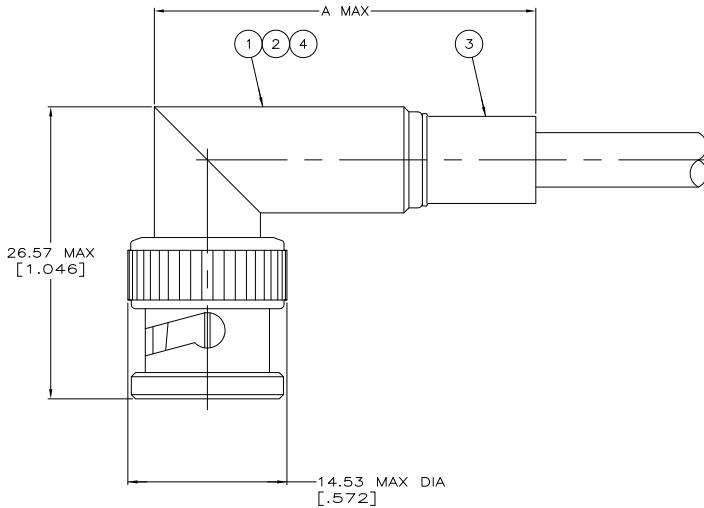
3

2

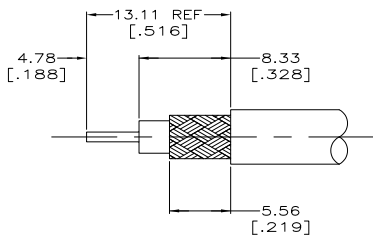
1

THIS DRAWING IS UNPUBLISHED. RELEASED FOR PUBLICATION
 © COPYRIGHT BY TYCO ELECTRONICS CORPORATION. ALL RIGHTS RESERVED.

LOC	DIST	REVISIONS			
F	LNK	DESCRIPTION	DATE	BY	APP'D
	O	REV PER EC-0514-0496-04	01FEB2005	AF	JL
	O1	REVISED PER ECO-10-000444	31OCT09	KK	AEG



- △ RG-58/U, RG-58A/U, RG-58B/U, & RG-58C/U
- △ RG-55/U, RG-55A/U, RG-55B/U, & RG-223/U
- △ RG-59/U, RG-59A/U, RG-59B/U, RG-62/U, RG-62A/U, & RG-62B/U
- △ RG-188/U, 316 TYPE, DOUBLE BRAIDED CABLE
- 5. SEE I.S. 1914-5
- △ 6. OBSOLETE PARTS: OBSOLETE CIS STREAMLINING PER D.RENAUD/D.SINISI



△	220009-1	37.29	1.468	227194-1	9-329049-0	1-331368-2	225975-6	1-5225974-1
△	69477-1	37.29	1.468	-	9-50428-0	2-331368-3	225975-4	5225974-5
△	69478-1	39.12	1.540	-	9-225382-0	1-331369-6	225975-3	5225974-2
△	69478-1	39.12	1.540	-	9-225381-0	1-331369-6	225975-3	5225974-1
△ OBSOLETE								
CABLE SIZE	HAND TOOL	A	④ TUBING QTY=1	③ FERRULE QTY=1	② CONTACT QTY=1	① PLUG ASSY QTY=1	PART NUMBER	

THIS DRAWING IS A CONTROLLED DOCUMENT.		BY: A. FERNANDEZ-DOCKIS	DATE: 01FEB2005	Tyco Electronics Corporation Harrisburg, PA 17105-3608
DIMENSIONS: MM [INCHES]		CHK: J. HAVENER	DATE: 01FEB2005	
TOLERANCES UNLESS OTHERWISE SPECIFIED:		ZIPC: J. LIPPERT		PLUG, RIGHT ANGLE, DUAL CRIMP, BNC
0 PLC ± .005		PRODUCT SPEC: 108-12020		
1 PLC ± .005		APPLICATION SPEC: -		SIZE: A2
2 PLC ± .005		MATERIAL: -		QTY: 00779
3 PLC ± .005		FINISH: -		C=5225974
4 PLC ± .005		WEIGHT: -		RESTRICTED TO: -
ANGLES: -		CUSTOMER DRAWING		SCALE: 4:1 SHEET 1 OF 1 REV 01

AMP 1471-9 REV 31MMR2000

5225974

A