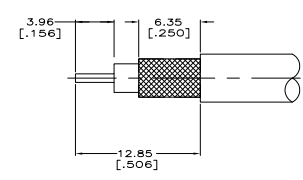
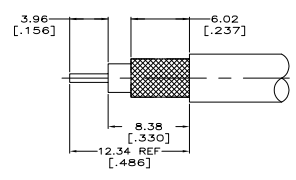
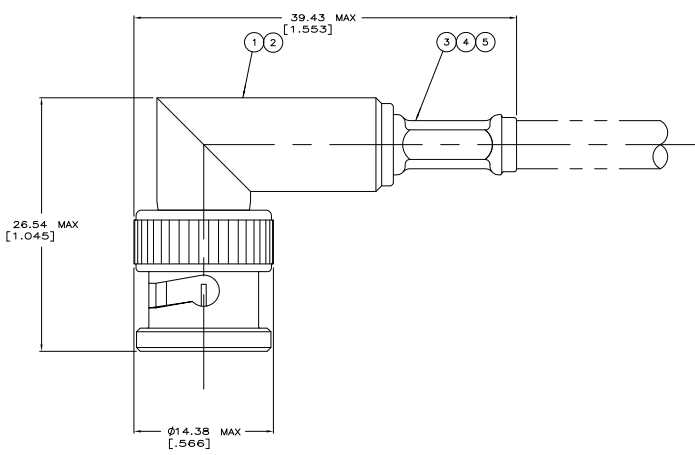


THIS DRAWING IS UNPUBLISHED
 © 1975 BY TDS ELECTRONICS CORPORATION. ALL RIGHTS RESERVED.

REV	DATE	DESCRIPTION	BY	CHK	APP
AJ 16		REVISED PER ECO-06-018704			
MT					

△ USE WITH HAND TOOL 220190-1
 2. SEE I.S. SHEET 9765



VIEW A

VIEW B

RECOMMENDED STRIP LENGTH

SUPERSEDED BY 5413588-8	RG-179/U,179A/U,179B/U,187/U & 187A/U	A	1.07	.042	4.52 (.178)	852922-2	227194-2	1-222001-0	9-413658-0	1-413746-5	9-413947-1	9-413588-1
SUPERSEDED BY 5413588-2	RG-59/U,59A/U & 59B/U	A	1.07	.042	6.48 (.255)	852922-1	-	-	9-221132-1	413746-5	9-413947-0	9-413588-0
	AT&T 7354	A	1.07	.042	4.52 (.178)	852922-2	-	-	9-413658-2	1-413746-0	413947-2	1-413588-0
OBSOLETE	RG-59 TYPE WITH .031 DIA CENTER CONDUCTOR,BELDEN 9240,9259 & 9266	A	1.07	.042	6.48 (.255)	852922-1	-	-	9-221132-1	2-413746-0	413947-1	413588-9
	RG-179/U,179A/U,179B/U,187/U & 187A/U	A	1.07	.042	4.52 (.178)	852922-2	227194-2	1-222001-0	9-413658-0	1-413746-5	413947-2	413588-8
OBSOLETE	AT&T 734A	A	1.07	.042	6.48 (.255)	852922-1	-	-	9-221132-3	2-413746-0	413947-4	413588-7
OBSOLETE	TIMES RG-59/U WITH DOUBLE BRAID & .270 OD JACKET	A	1.07	.042	8.23 (.324)	852922-3	-	-	9-221132-2	413746-5	413947-1	413588-6
OBSOLETE	BELDEN 8281,9231 & AT&T 728	B	1.07	.042	8.23 (.324)	852922-3	-	-	9-221132-2	2-413746-0	413947-3	413588-5
	AT&T KS 19224 L2	A	1.07	.042	4.52 (.178)	852922-2	227194-2	1-222001-0	9-413658-2	1-413746-5	413947-2	413588-4
OBSOLETE	BELDEN 8218	A	1.07	.042	4.52 (.178)	852922-2	-	-	9-221132-6	1-413746-0	413947-2	413588-3
OBSOLETE	RG-59/U,59A/U & 59B/U	A	1.07	.042	6.48 (.255)	852922-1	-	-	9-221132-1	413746-5	413947-1	413588-2
OBSOLETE	BELDEN 88241	A	1.07	.042	6.48 (.255)	852922-1	-	-	9-413658-3	413746-5	413947-1	413588-1

FOR USE WITH CABLE VIEW CONTACT CRIMP (SQUARE) FERRULE CRIMP (HEX) DIE SET △ ③ TUBING, PLASTIC QTY=1 ④ TUBING, METAL QTY=1 ⑤ FERRULE QTY=1 ② CONTACT QTY=1 ① PLUG ASSY QTY=1 PART NUMBER

THIS DRAWING IS A CONTROLLED DOCUMENT

DESIGNED BY	APPROVED BY	DATE
DR	EL	12/7/75
DATE	BY	APP
12/7/75	E. BLUTH	
PROJECT	PLUG, RIGHT ANGLE, HEX CRIMP, 75 OHM/BNC	
REV	DESCRIPTION	DATE
1	ORIGINAL SPEC	
2	REVISED PER ECO-06-018704	
3	REVISED PER ECO-06-018704	
4	REVISED PER ECO-06-018704	
5	REVISED PER ECO-06-018704	
6	REVISED PER ECO-06-018704	
7	REVISED PER ECO-06-018704	
8	REVISED PER ECO-06-018704	
9	REVISED PER ECO-06-018704	
10	REVISED PER ECO-06-018704	
11	REVISED PER ECO-06-018704	
12	REVISED PER ECO-06-018704	
13	REVISED PER ECO-06-018704	
14	REVISED PER ECO-06-018704	
15	REVISED PER ECO-06-018704	
16	REVISED PER ECO-06-018704	
17	REVISED PER ECO-06-018704	
18	REVISED PER ECO-06-018704	
19	REVISED PER ECO-06-018704	
20	REVISED PER ECO-06-018704	
21	REVISED PER ECO-06-018704	
22	REVISED PER ECO-06-018704	
23	REVISED PER ECO-06-018704	
24	REVISED PER ECO-06-018704	
25	REVISED PER ECO-06-018704	
26	REVISED PER ECO-06-018704	
27	REVISED PER ECO-06-018704	
28	REVISED PER ECO-06-018704	
29	REVISED PER ECO-06-018704	
30	REVISED PER ECO-06-018704	
31	REVISED PER ECO-06-018704	
32	REVISED PER ECO-06-018704	
33	REVISED PER ECO-06-018704	
34	REVISED PER ECO-06-018704	
35	REVISED PER ECO-06-018704	
36	REVISED PER ECO-06-018704	
37	REVISED PER ECO-06-018704	
38	REVISED PER ECO-06-018704	
39	REVISED PER ECO-06-018704	
40	REVISED PER ECO-06-018704	
41	REVISED PER ECO-06-018704	
42	REVISED PER ECO-06-018704	
43	REVISED PER ECO-06-018704	
44	REVISED PER ECO-06-018704	
45	REVISED PER ECO-06-018704	
46	REVISED PER ECO-06-018704	
47	REVISED PER ECO-06-018704	
48	REVISED PER ECO-06-018704	
49	REVISED PER ECO-06-018704	
50	REVISED PER ECO-06-018704	
51	REVISED PER ECO-06-018704	
52	REVISED PER ECO-06-018704	
53	REVISED PER ECO-06-018704	
54	REVISED PER ECO-06-018704	
55	REVISED PER ECO-06-018704	
56	REVISED PER ECO-06-018704	
57	REVISED PER ECO-06-018704	
58	REVISED PER ECO-06-018704	
59	REVISED PER ECO-06-018704	
60	REVISED PER ECO-06-018704	
61	REVISED PER ECO-06-018704	
62	REVISED PER ECO-06-018704	
63	REVISED PER ECO-06-018704	
64	REVISED PER ECO-06-018704	
65	REVISED PER ECO-06-018704	
66	REVISED PER ECO-06-018704	
67	REVISED PER ECO-06-018704	
68	REVISED PER ECO-06-018704	
69	REVISED PER ECO-06-018704	
70	REVISED PER ECO-06-018704	
71	REVISED PER ECO-06-018704	
72	REVISED PER ECO-06-018704	
73	REVISED PER ECO-06-018704	
74	REVISED PER ECO-06-018704	
75	REVISED PER ECO-06-018704	
76	REVISED PER ECO-06-018704	
77	REVISED PER ECO-06-018704	
78	REVISED PER ECO-06-018704	
79	REVISED PER ECO-06-018704	
80	REVISED PER ECO-06-018704	
81	REVISED PER ECO-06-018704	
82	REVISED PER ECO-06-018704	
83	REVISED PER ECO-06-018704	
84	REVISED PER ECO-06-018704	
85	REVISED PER ECO-06-018704	
86	REVISED PER ECO-06-018704	
87	REVISED PER ECO-06-018704	
88	REVISED PER ECO-06-018704	
89	REVISED PER ECO-06-018704	
90	REVISED PER ECO-06-018704	
91	REVISED PER ECO-06-018704	
92	REVISED PER ECO-06-018704	
93	REVISED PER ECO-06-018704	
94	REVISED PER ECO-06-018704	
95	REVISED PER ECO-06-018704	
96	REVISED PER ECO-06-018704	
97	REVISED PER ECO-06-018704	
98	REVISED PER ECO-06-018704	
99	REVISED PER ECO-06-018704	
100	REVISED PER ECO-06-018704	