

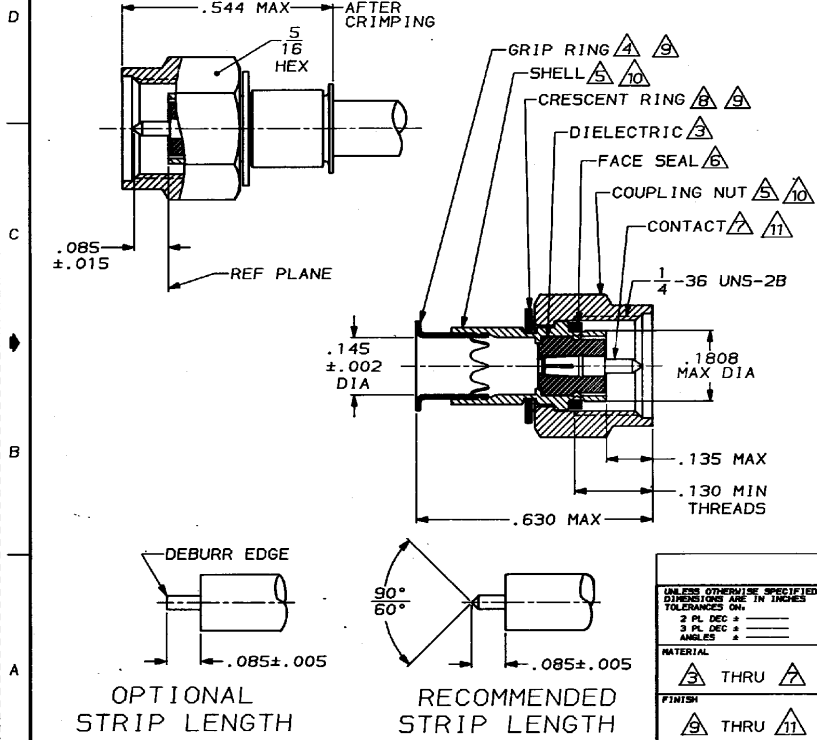
4  
3  
2  
1

DRAWING MADE IN THIRD ANGLE PROJECTION

THIS DRAWING IS UNPUBLISHED. RELEASED FOR PUBLICATION .19

© COPYRIGHT 19 BY AMP INCORPORATED, HARRISBURG, PA. ALL INTERNATIONAL RIGHTS RESERVED. AMP PRODUCTS MAY BE COVERED BY U.S. AND FOREIGN PATENTS AND/OR PATENTS PENDING.

MOD	LOC	DIST	REV	ZONE	LTR	DESCRIPTION	DATE	APPROVED
9	AJ	16	F	B		REDWN & REV PER AJ-2377	7/16/57	KA/CS



1. FOR USE WITH: RG-402/U, .141 SEMI RIGID CABLE
2. SEE I.S. 6788
- △ PTFE PER MIL-P-19468
- △ BRASS PER MIL-C-50
- △ STAINLESS STEEL PER ASTM-A-582
- △ SILICONE RUBBER PER ZZ-R-765
- △ BERYLLIUM COPPER PER QQ-C-530
- △ BERYLLIUM COPPER, ALLOY #25
- △ NICKEL PL PER QQ-N-290
- △ PASSIVATED PER QQ-P-35
- △ GOLD PL PER MIL-G-45204
12. 00779 M39012/79-3308
13. .500 MIN LENGTH OF STRAIGHT CABLE REQUIRED TO APPLY THE CONNECTOR

AMP 1470-15 REV 10-54

UNLESS OTHERWISE SPECIFIED DIMENSIONS ARE IN INCHES		DR. <i>[Signature]</i> 7/16/57	PART NO 228634-1	
TOLERANCES ON: 2 PL DEC ± 3 PL DEC ± ANGLES ±	OR. G.W. A.W. A.P.	<i>[Signature]</i> 7/16/57 <i>[Signature]</i> 7/16/57 <i>[Signature]</i> 7/16/57	AMP INCORPORATED Harrisburg, Pa. 17105	
MATERIAL △ THRU △	FINISH △ THRU △	PRODUCT SPEC 108-12055	NAME PLUG, MIL-F, SERIES SMA	
		APPLICATION SPEC	SIZE B	FSQH NO 00779
		NET WT	DRAWING NO 228634-1	
			SCALE 5:1	SHEET 1 OF 1

CUSTOMER DRAWING