

4

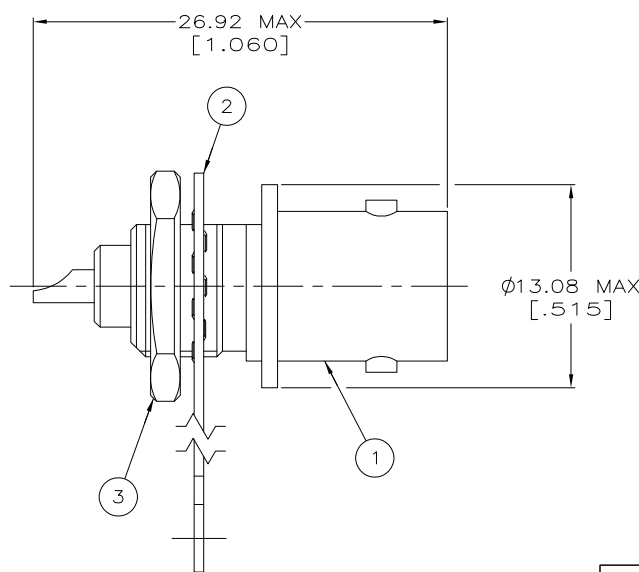
3

2

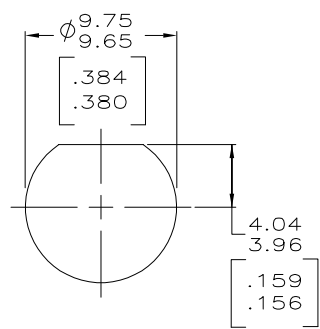
1

THIS DRAWING IS UNPUBLISHED. RELEASED FOR PUBLICATION  
 © COPYRIGHT - BY TYCO ELECTRONICS CORPORATION. ALL RIGHTS RESERVED.

LOC	DIST	REVISIONS			
P	LTR	DESCRIPTION	DATE	DWN	APVD
AJ	16	A	REVISED PER EC OS14-0150-05	30AUG05	BM JL



1. 3.175 [.125] MAX PANEL THICKNESS.



RECOMMENDED PANEL CUTOUT

1-330249-1	9-227260-0	227756-3	5227755-3
1-330249-1	9-227260-0	227756-2	5227755-2
1-330249-1	9-227260-0	227756-1	5227755-1
③ JAM NUT QTY=1	② LOCKWASHER, TERMINAL QTY=1	① JACK ASSY QTY=1	PART NUMBER

THIS DRAWING IS A CONTROLLED DOCUMENT.		DWN L. VARELA - DOCKS 21APR2005	Tyco Electronics Corporation Harrisburg, Pa 17105-3608	
DIMENSIONS: mm [INCHES]	TOLERANCES UNLESS OTHERWISE SPECIFIED:	CHK J. HAVENER 21APR2005	Tyco Electronics	
	0 PLC ± -	APVD J. LIPPERT 21APR2005	NAME SOLDER JACK, 50 OHM, SERIES BNC	
	1 PLC ± -	PRODUCT SPEC 108-12079	SIZE A3	CAGE CODE 00779
	2 PLC ± -	APPLICATION SPEC	DRAWING NO 5227755	RESTRICTED TO
	3 PLC ± -		SCALE 4:1	SHEET 1 OF 1
	4 PLC ± -			REV A
MATERIAL -	FINISH -	WEIGHT -	CUSTOMER DRAWING	