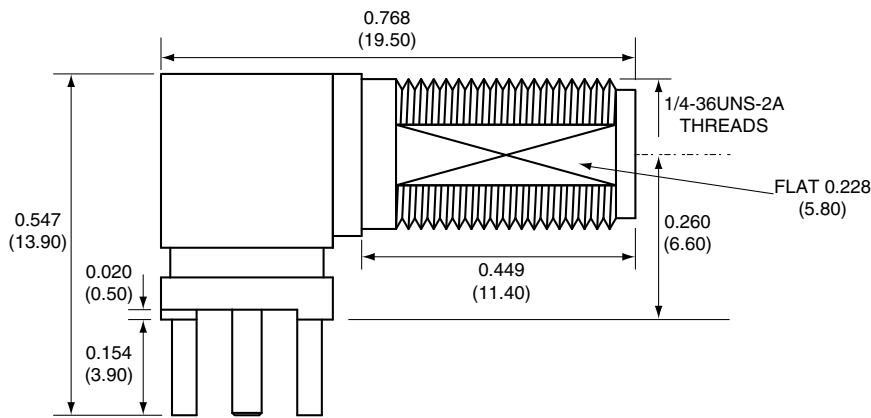
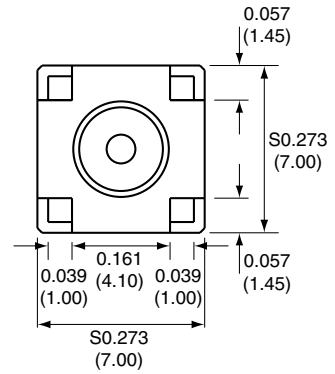


1		
Description	Material	Finish
Body	Brass	Nickel
Socket	BE CU	Gold
Insulation	Teflon	Teflon
Nut	Brass	Nickel
Washer	Brass	Nickel

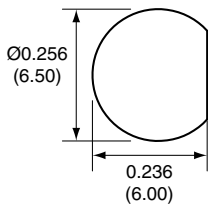
SIDE VIEW



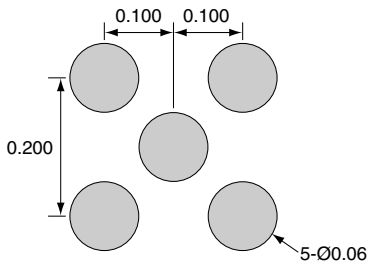
BACK VIEW



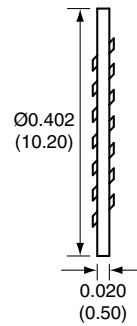
RECOMMENDED MOUNTING HOLE



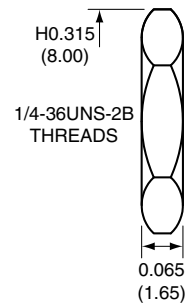
RECOMMENDED FOOTPRINT



WASHER



NUT



Title SMA FEMALE RIGHT ANGLE PCB MOUNT, EXTENDED		CONNECTOR CITY 159 ORT LANE MERLIN, OR 97532	
Part No. CONSMA002-L	Revision: 1.1	PH (541)-471-6256 FAX (541)-471-6251	
Dimensions: INCHES (mm)	Date: 7/22/2008	Sheet 1 of 1	

