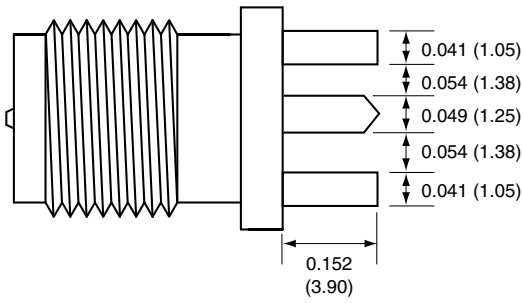
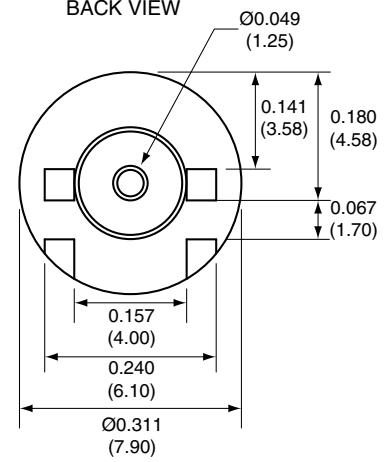


1		
Description	Material	Finish
Body	Brass	Nickel
Pin	Brass	Gold
Insulation	Teflon	Teflon

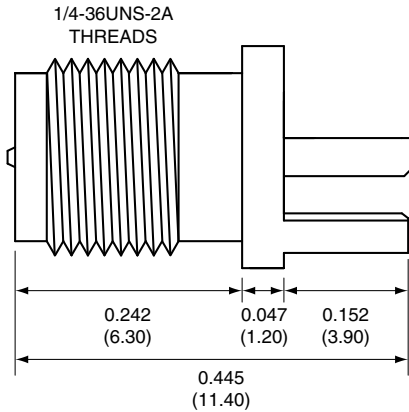
TOP VIEW



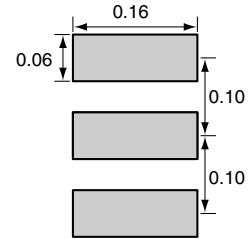
BACK VIEW



SIDE VIEW



RECOMMENDED FOOTPRINT



Title RP-SMA FEMALE EDGE MOUNT FOR 0.062" THICK BOARD		CONNECTOR CITY 159 ORT LANE MERLIN, OR 97532	
Part No. CONREVSMA003.062	Revision: 1.0	PH (541)-471-6256 FAX (541)-471-6251	
Dimensions: INCHES (mm)	Date: 6/2/2006	Sheet 1 of 1	

