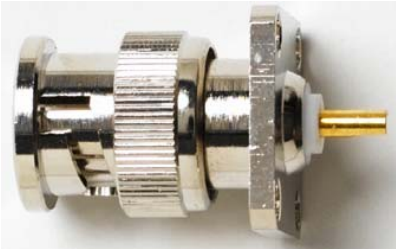
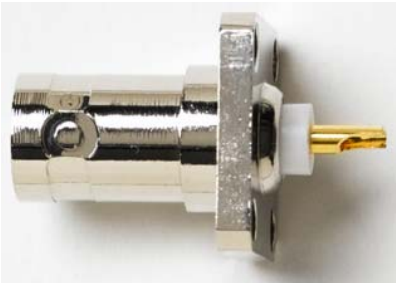


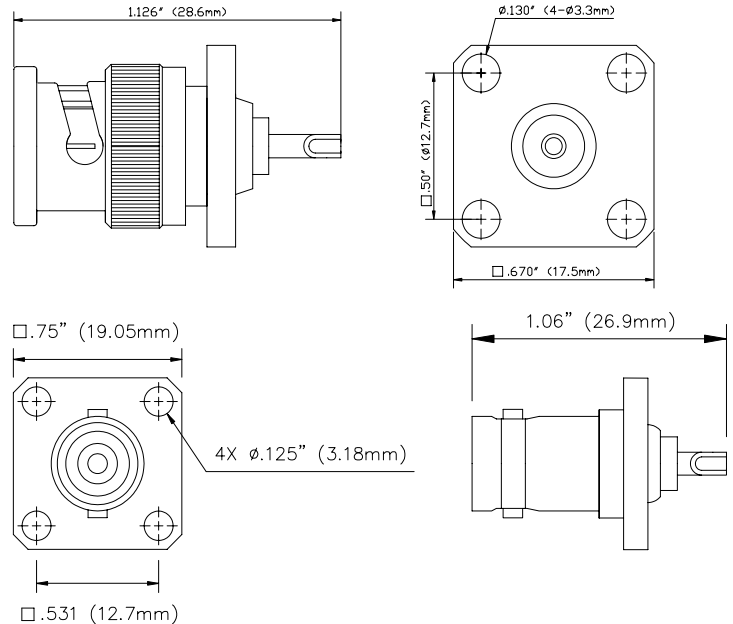
**Models 6735, 6736**  
**BNC (M), BNC (F) Panel Mount 75 Ω (0.5" spacing)**



Model 6735 BNC (M) Panel Mount



Model 6736 BNC (F) Panel Mount



Use for your 75 Ω panel mount broadcast applications.

**Features**

U-shaped solder cup eases solder installation. Precision machined. Gold plated contacts. PTFE (**not delrin**)

**Materials**

- Body is machined brass with tarnish resistant nickel plating (not die cast).
- Male center pin contacts are gold plated (20 micro inches) brass. Female center contacts: Gold plated heat treated beryllium copper.
- High quality machined PTFE dielectric.

**Ordering Information**

Model: 6735 75 Ω BNC (M) Panel Mount with 0.5" spacing.

**Specifications**

|   |  |
|---|--|
| Nominal impedance   | 75 Ω                                   |
| Frequency   | 0-3 GHz                                |
| VSWR  | 1.10 max. 0-1 GHz<br>1.35 max. 1-3 GHz |
| Center contact resistance   | 1.5 mΩ                                 |
| Insulation resistance   | 5000 MΩ                                |
| Number of insertions  | 500                                    |
| Ratings: Voltage: 500 Vrms<br>Operating temperature: -85 °F to +131 °F (-65 °C to +155 °C) Max. |  |

**USA:** Sales: 800-490-2361 Technical Support: 800-241-2060 Fax: 888-403-3360

**Europe:** 31-(0) 40 2675 150 **International:** 425-446-5500

**e-mail:** [technicalsupport@pomonatest.com](mailto:technicalsupport@pomonatest.com)

**Where to Buy:** [www.pomonaelectronics.com](http://www.pomonaelectronics.com)

All dimensions are in inches. Tolerances (except noted): .xx = ±.02" (.51 mm), .xxx = ±.005" (.127 mm). All specifications are to the latest revisions. Specifications are subject to change without notice. Registered trademarks are the property of their respective companies.