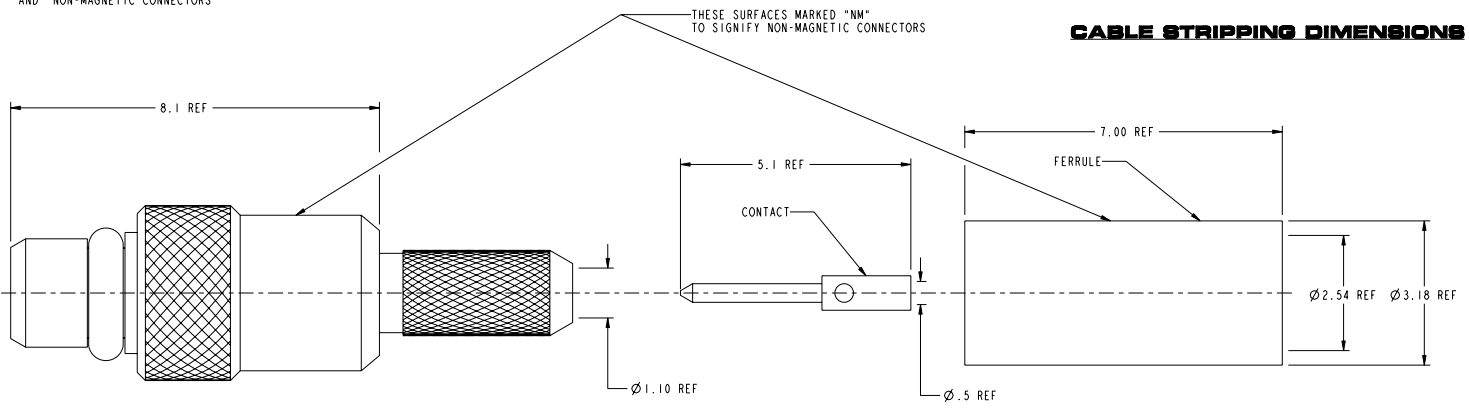
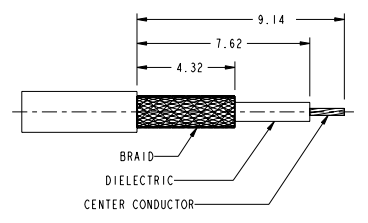
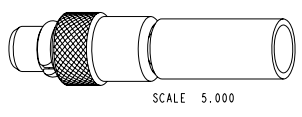


NOTES:

- MATERIALS AND FINISHES:  
 BODY COMPONENTS - BeCu, WHITE BRONZE (Cu, Sn, Zn) PLATING  
 CONTACT AND C-RING - BeCu, GOLD PLATING OVER WHITE BRONZE (Cu, Sn, Zn)  
 FERRULE - COPPER TUBING, WHITE BRONZE (Cu, Sn, Zn) PLATING  
 INSULATOR - PTFE
- ELECTRICAL:  
 A. IMPEDANCE: 50 OHM  
 B. FREQUENCY RANGE: DC - 6 GHz  
 C. VSWR (RETURN LOSS): 1.20:1 (21 dB), MAX.  
 D. DIELECTRIC WITHSTANDING VOLTAGE: 500 VRMS, MIN.
- MECHANICAL:  
 A. DURABILITY: 500 CYCLES, MIN.  
 B. TEMPERATURE RANGE: -65° C TO 165° C  
 C. SOLDER CONTACT  
 D. CRIMP FERRULE WITH .105" HEX
- PACKAGING:  
 A. QUANTITY: BULK PACK 100  
 B. MARKING: BAG TO BE MARKED  
 "AMPHENOL, 908-NM41200 100 PIECES, DATE CODE"  
 AND "NON-MAGNETIC CONNECTORS"

908-NM41200		REVISIONS			
PART NO.	REV	DESCRIPTION	DATE	ECO	APPR
THIRD ANGLE PROJ.	A	RELEASE TO MFG.	8/8/06	46108	KJC
	B	SEE SHEET 2.	10/24/06	46304	KJC



**METRIC DRAWING**

**CUSTOMER OUTLINE DRAWING**  
 ALL OTHER SHEETS ARE FOR INTERNAL USE ONLY

UNLESS OTHERWISE SPECIFIED, DIMENSIONS ARE METRIC AND TOLERANCES ARE: 1 PLACE DECIMAL ± 0.3MM (0.012") 2 PLACE DECIMAL ± .10 MM (0.004") ANGLES ± 1° NOTICE: These drawings, specifications, or other data (1) are, and remain the property of Amphenol Corp. (2) must be returned upon request; and (3) are confidential and not to be disclosed to any person other than those to whom they are given by Amphenol Corp. The furnishing of these drawings, specifications, or other data by Amphenol Corp., or to any other person to anyone for any purpose is not to be regarded by implication or otherwise in any manner licensing, granting rights to permitting such holder or any other person to manufacture, use or sell any product, process or design, patented or otherwise, that may in any way be related to or disclosed by said drawings, specifications, or other data.	MATERIAL	DRAWN	DATE	TITLE	Amphenol RF Danbury CT USA, Tainan, Taiwan, Shenzhen, China www.amphenolrf.com DRAWING NO. ITEM NO. PART NO. 908-NM41200
	REFERENCE	K. CAPOZZI	K. CAPOZZI	ASSEMBLY MMCX PLUG STRAIGHT RG-178 NON MAGNETIC	
	EAR # 1952 AND	APPROVED	DATE	SCALE: 12.0:1.0 SHEET 2 OF 2	
	CONFIGURATION LEVEL: Engineering Change	B. C. GLEISSNER	8/8/06	DWG SIZE B CODE 10 74868 REV B	
FINISH	Root Folder/MMCX/908-NM41200				