

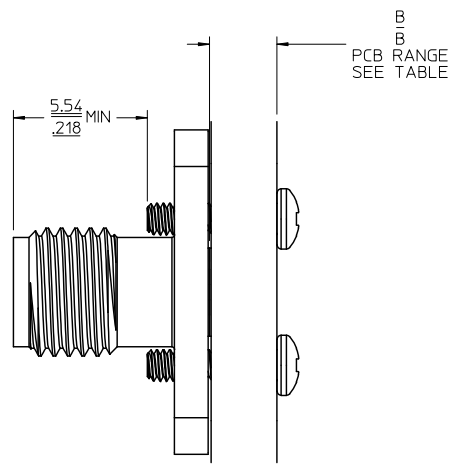
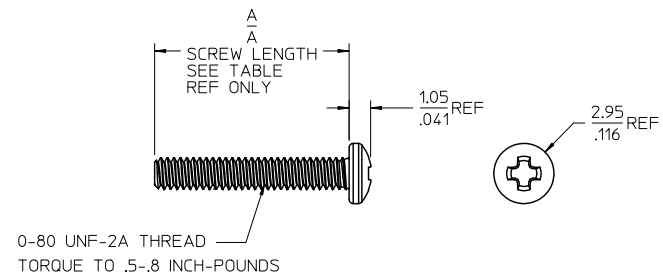
13 12 11 10 9 8 7 6 5 4 3 2 1

MATERIALS AND FINISHES

SEE SHEET 1

PCB LAYOUT

SEE SHEET 1



73251-1854	9.53/.375	.255+.060/-0.00	6.48+1.52/-0.00	2
73251-1853	6.4/.25	.130+.060/-0.00	3.30+1.52/-0.00	2
73251-1851	4.8/.19	.062+.060/-0.00	1.57+1.52/-0.00	2
PART NO.	(MM/IN)	IN	MM	SCREWS (QTY)
	DIM A	DIM B		

CHG: SEE SHT 1 DEC NO: URF2011-0448 DRAWN: SSPAH 2011/01/24 CHKD: APPR: JWIENER 2011/01/24	QUALITY SYMBOLS	GENERAL TOLERANCES (UNLESS SPECIFIED)	DIMENSION STYLE	SCALE	DESIGN UNITS	THIRD ANGLE PROJECTION
	▽=0	mm INCH	MM/IN	METRIC	MM/IN	
	▽=0	4 PLACES ±--- ±--- 3 PLACES ±--- ±--- 2 PLACES ±--- ±--- 1 PLACE ±--- ±---	DRAWN BY DATE GMH 2003/04/21	TITLE	SMA JACK, 2H FLG WITH 0-80 THD, 50 OHM 27 GHZ SMA-JR/F EWR-1995	
	DESCRIPTION	ANGULAR ± 2 °	CHECKED BY DATE SSS 2003/04/21	APPROVED BY DATE JWIENER 2010/06/09	MATERIAL NO.	DOCUMENT NO.

DRAFT WHERE APPLICABLE MUST REMAIN WITHIN DIMENSIONS	SIZE C	THIS DRAWING CONTAINS INFORMATION THAT IS PROPRIETARY TO MOLEX INCORPORATED AND SHOULD NOT BE USED WITHOUT WRITTEN PERMISSION				
--	-----------	--	--	--	--	--

1b_frame_C.P. AM.T Rev. E 2006/04/15 12 11 10 9 8 7 6 5 4 3 2 1

