

4

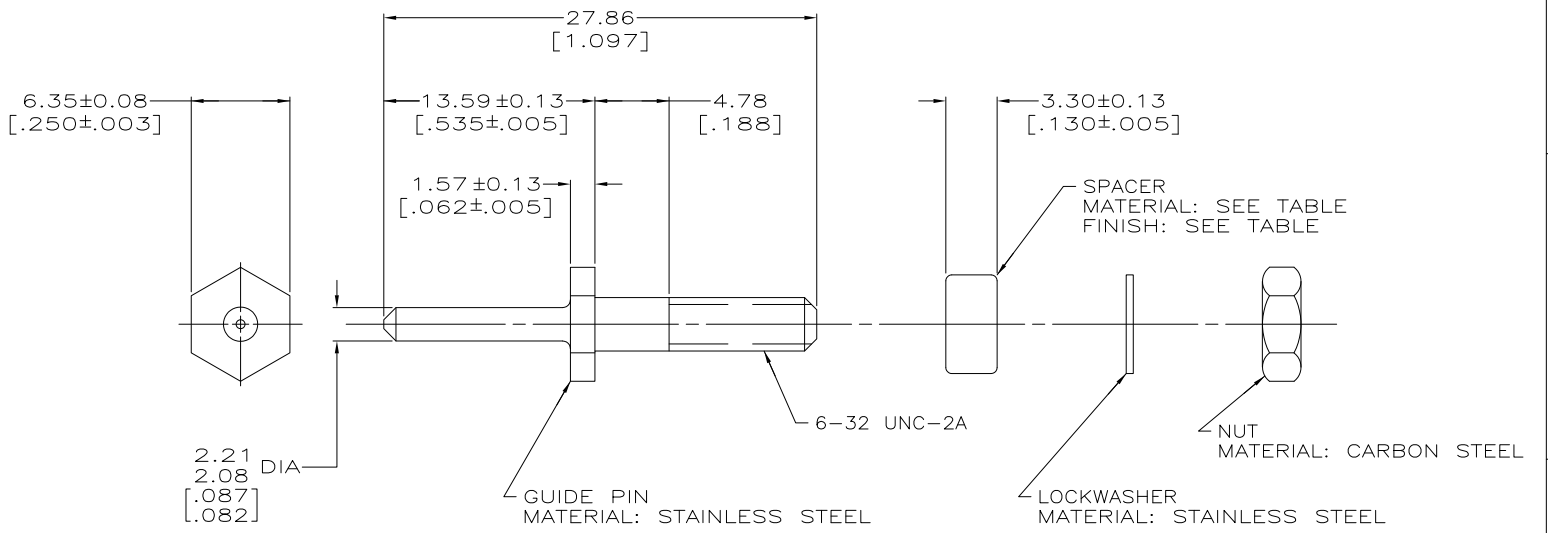
3

2

1

THIS DRAWING IS UNPUBLISHED. RELEASED FOR PUBLICATION
 © COPYRIGHT - BY TYCO ELECTRONICS CORPORATION. ALL RIGHTS RESERVED.

LOC	DIST	REVISIONS			
P	LTR	DESCRIPTION	DATE	DWN	APVD
FT	0	T	REVISED PER ECO-10-021995	12JAN11	HMR MG



1	STAINLESS STEEL	YES	202173-8
-	-	NO	202173-7
2	BRASS	YES	202173-6
1	STAINLESS STEEL	YES	202173-5
-	-	NO	202173-1
FINISH		MATERIAL	
SPACER			PART NUMBER

SUPERSEDED BY 202173-8
 SUPERSEDED BY 202173-7

- 1 PASSIVATED.
- 2 2.54µm [.000100] MIN ZINC WITH HEXAVALENT CHROMIUM.

THIS DRAWING IS A CONTROLLED DOCUMENT.

DIMENSIONS: mm [INCHES]	TOLERANCES UNLESS OTHERWISE SPECIFIED:	DWN C. DORWART 30 AUG 95	Tyco Electronics Tyco Electronics Corporation Harrisburg, Pa 17105-3608		
	0 PLC ± -	CHK R. STONE 31 AUG 95	NAME		
	1 PLC ± -	APVD G. STEINHAUER 05 OCT 95	GUIDE PIN KIT, UNASSEMBLED, M SERIES		
	2 PLC ± 0.38 [015]	PRODUCT SPEC	SIZE	CAGE CODE	DRAWING NO
	3 PLC ± -	APPLICATION SPEC	A3	00779	202173
4 PLC ± -	ANGLES ± -	WEIGHT	RESTRICTED TO		
MATERIAL SEE CALLOUTS	FINISH	CUSTOMER DRAWING	SCALE 4:1	SHEET 1 OF 1	REV T