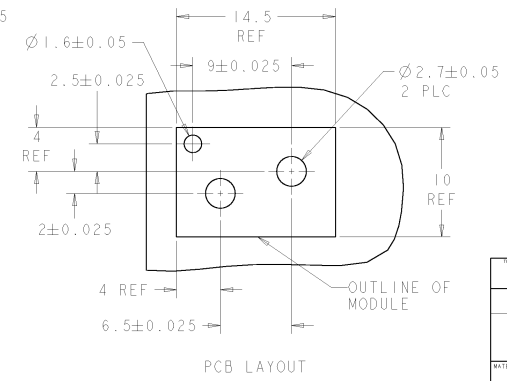
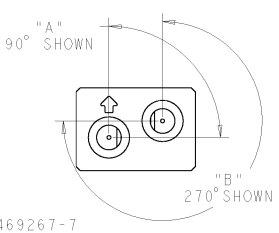
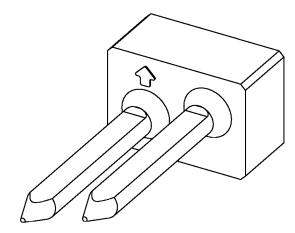
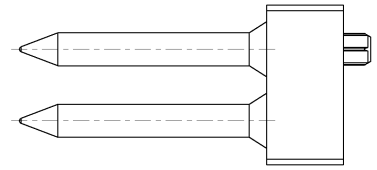
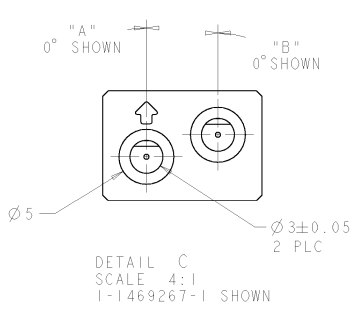
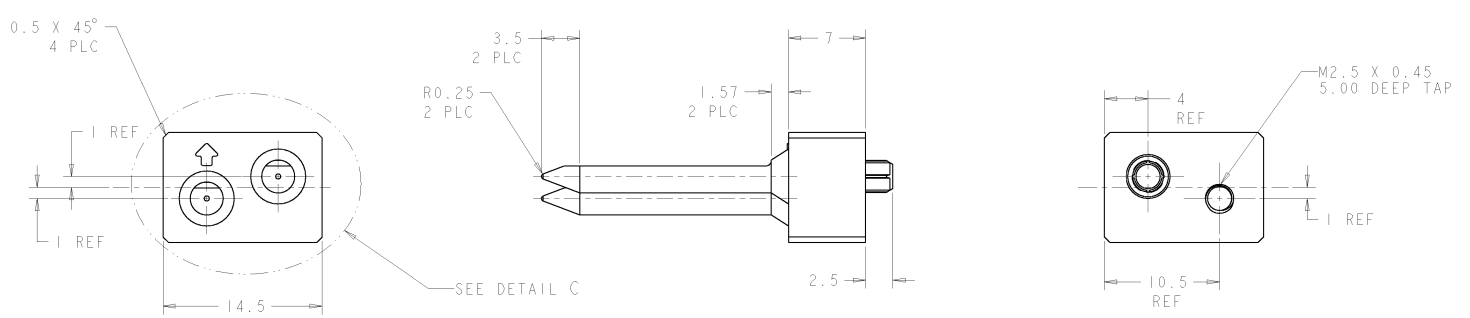


REV	DATE	BY	CHKD	DESCRIPTION
0	REV PER EC 0512-0411-04			



NOTES:
 1. RECOMMENDED MOUNTING HARDWARE - M2.5 X 0.45 SCREW, 4.0MM LONG UP TO 2.9 MM THICK PCB, 6.0MM LONG FOR 3.0 TO 4.0 MM THICK PCB, 8.0MM FOR 4.1 TO 6.0MM THICK PCB, 10.0MM FOR 6.1 TO 8.0MM THICK PCB. (HARDWARE NOT SUPPLIED WITH PART NUMBER)

270°	90°	3-1469267-7
0°	0°	1-1469267-1
"A"	"B"	PART NUMBER

DIMENSIONS: mm		OWN: 0 - SZCZESNI	17DEC02	tyco Electronics	
DESIGNED BY: B. PATTERSON		CHK: B. PATTERSON	15DEC04	Harrisburg, PA 17105-3400	
DRAWN BY: B. PATTERSON		APP: B. PATTERSON	15DEC04	ATCA GUIDE MODULE	
MATERIAL: ZAMAC 3		FINISH: NICKEL	CUSTOMER DRAWING	SIZE: A2	SCALE: 3:1