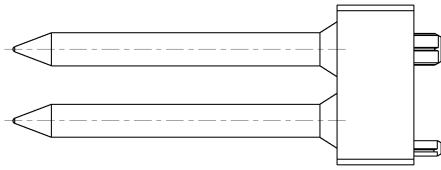
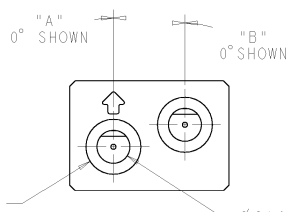
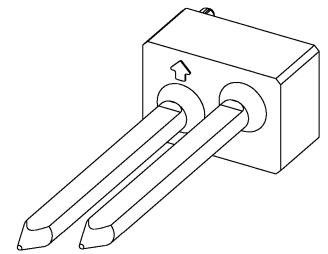
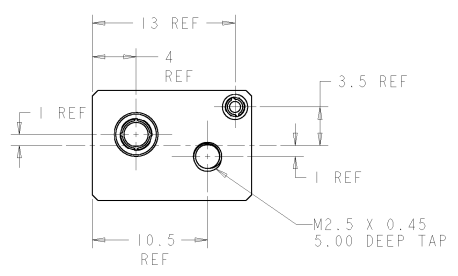
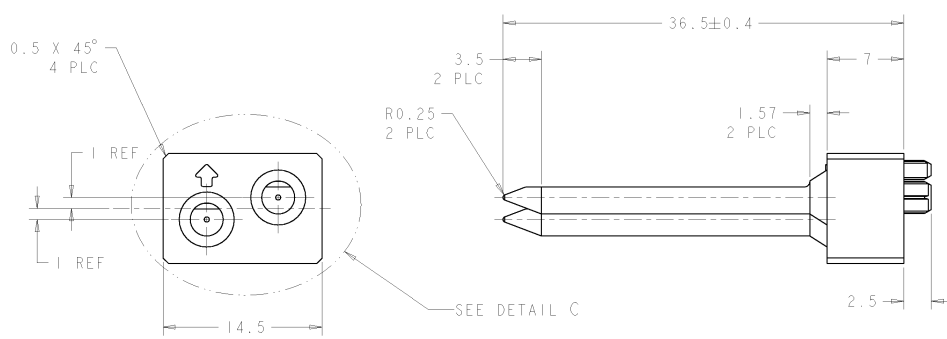
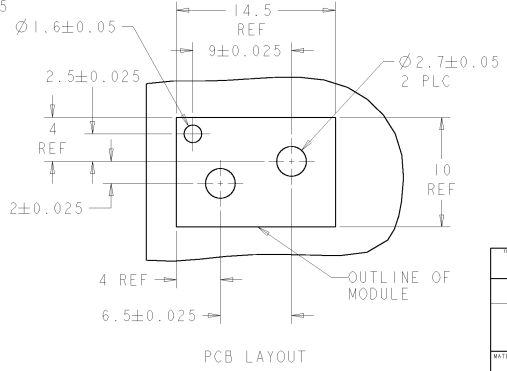


REV. NO.		REV. DATE		REV. BY		REV. FOR	
AD	00						
0		REV PER EC 0512-0230-04	14SEP2004	BC	RP		



DETAIL C
SCALE 4:1
1-1469388-1 SHOWN



NOTES:
1. RECOMMENDED MOUNTING HARDWARE - M2.5 X 0.45 SCREW, 4.0MM LONG UP TO 2.9 MM THICK PCB, 6.0MM LONG FOR 3.0 TO 4.0 MM THICK PCB, 8.0MM FOR 4.1 TO 6.0MM THICK PCB, 10.0MM FOR 6.1 TO 8.0MM THICK PCB. (HARDWARE NOT SUPPLIED WITH PART NUMBER)

270°	90°	3-1469388-7
0°	0°	1-1469388-1
"B"	"A"	PART NUMBER

DIMENSIONS: mm		DRAWN: J. SZCZESNY 17DEC02		CHECKED: B. PATTERSON 14SEP04		APPROVED: B. PATTERSON 14SEP04		tyco Electronics Tyco Electronics Harrisburg, PA 17105-3600	
MATERIAL: ZAMAC 3		FINISH: NICKEL		APPLICATION SPEC: -		WEIGHT: -		ATCA GUIDE MODULE (MID-PLANE - A2) SIZE: A2 CASE CODE: 100779 DRAWING NO: 1-1469388-1 SCALE: 3:1 SHEET 1 OF 1 REV 0	