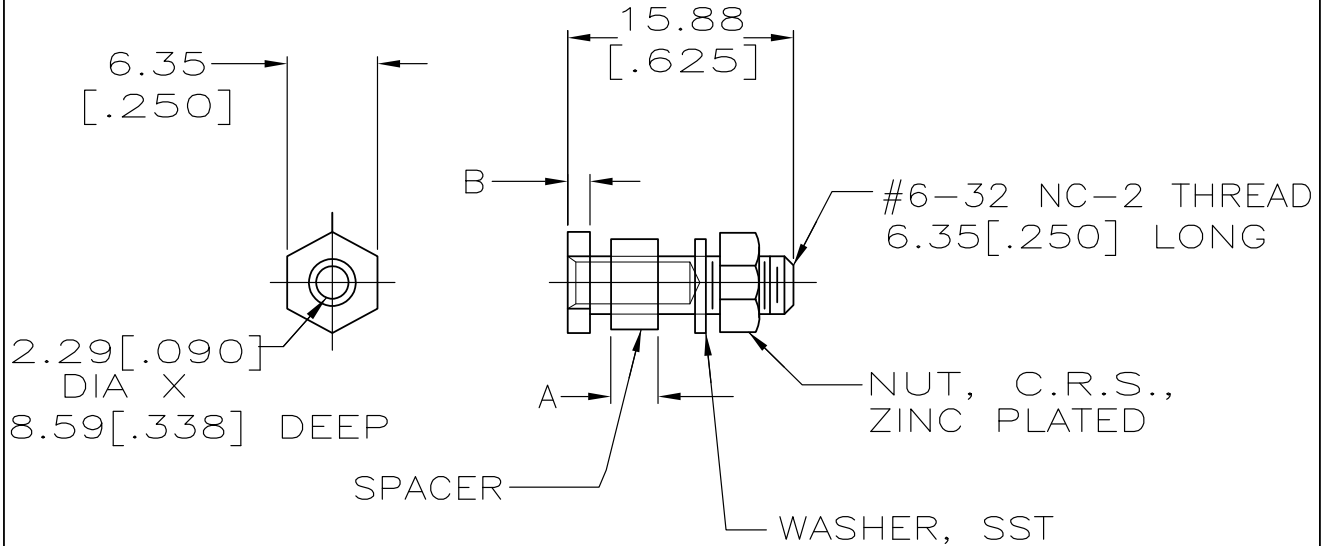


LOC	DIST	REVISIONS					
FT	0	P	LTR	DESCRIPTION	DATE	DWN	APVD
			M	REVISED PER ECO-10-021995	12JAN11	HMR	MG



	1.57 [.062]	3.30 [.130]	202174-5
	3.10 [.122]	—	202174-4
OBSOLETE	1.57 [.062]	2.36 [.093]	202174-3
SUPERSEDED BY 202174-5	1.57 [.062]	3.30 [.130]	202174-1
	B	A	PART NUMBER

THIS DRAWING IS UNPUBLISHED.  
 ALL INTERNATIONAL RIGHTS RESERVED.  
 BY TYCO ELECTRONICS CORPORATION.  
 © COPYRIGHT

DIMENSIONS: mm [INCHES]		DWN T. SMITH 10/28/94	MATERIAL SEE CALLOUTS	FINISH SEE CALLOUTS
TOLERANCES UNLESS OTHERWISE SPECIFIED:		CHK D. STONE 11/7/94	Tyco Electronics Corporation Harrisburg, PA 17105-3608	
0 PLC ± -	1 PLC ± -	APVD -	NAME GUIDE SOCKET KIT, UNASSEMBLED 104 POSN CNTR FASTENER, M SERIES	
2 PLC ± 0.38[.015]	3 PLC ± -	PRODUCT SPEC -	SIZE A4	CAGE CODE 00779
4 PLC ± -	ANGLES ± -	APPLICATION SPEC -	DRAWING NO C-202174	RESTRICTED TO -
		WEIGHT -	CUSTOMER DRAWING	
		SCALE 2:1	SHEET 1 OF 1	REV M