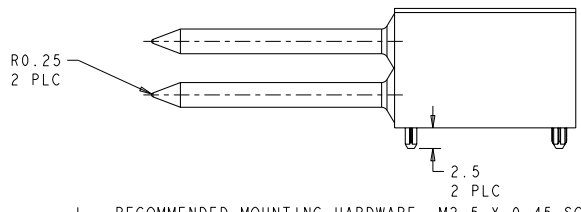
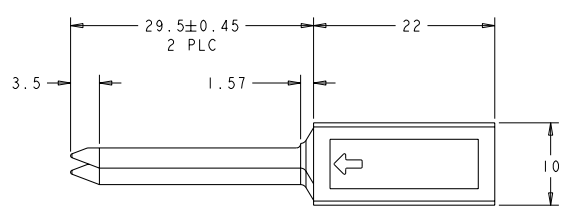
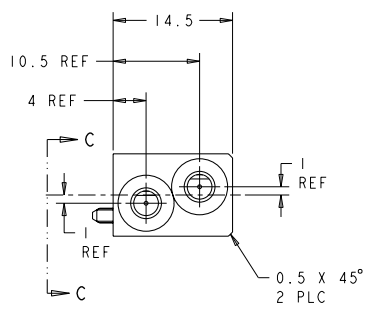
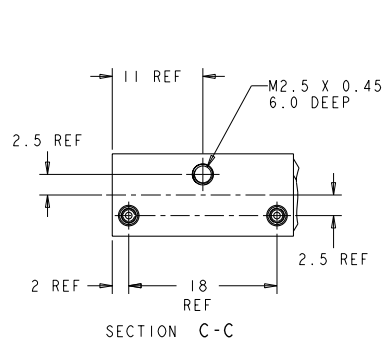
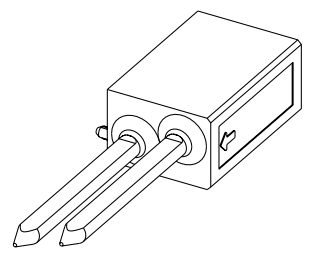
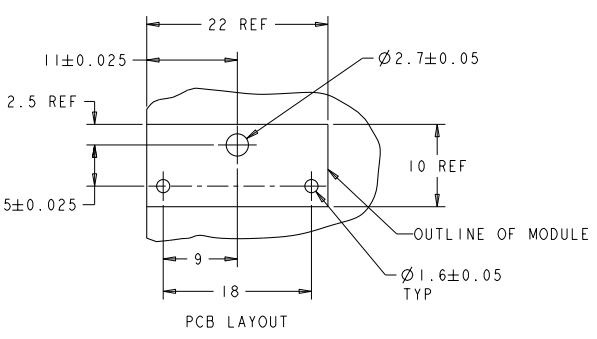


REVISIONS				
REV	DATE	BY	APP	DESCRIPTION
C	09DEC2007	BC	RP	REV PER ECO-07-028703
D	15JAN2008	BC	RP	REV PER ECO-08-000677



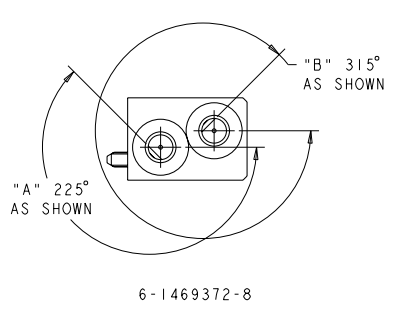
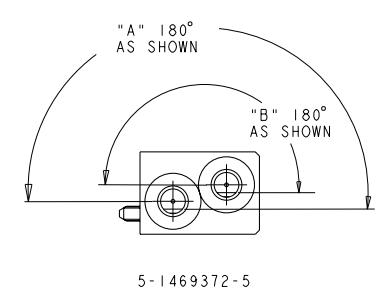
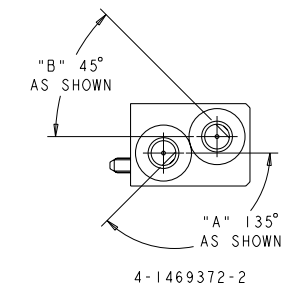
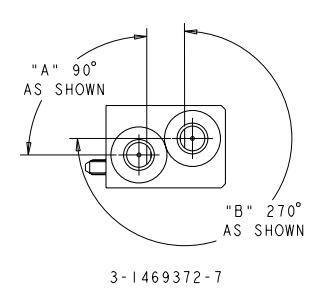
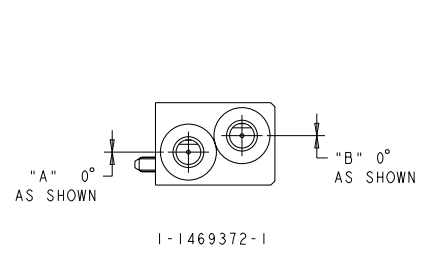
1. RECOMMENDED MOUNTING HARDWARE - M2.5 X 0.45 SCREW, 7.0MM LONG UP TO 2.9 MM THICK PCB, 8.0MM LONG FOR 3.0 TO 4.0 MM THICK PCB, 10.0MM FOR 4.1 TO 6.0MM THICK PCB, 12.0MM FOR 6.1 TO 8.0MM THICK PCB. (HARDWARE NOT SUPPLIED WITH PART NUMBER)
2. ENHANCED VERSION AVAILABLE FOR NEB'S DROP TEST. REFERENCE DRAWING 1469957.



ANGLE	KEYING POS	PART NUMBER
225°	6 8	6-1469372-8
180°	5 5	5-1469372-5
135°	4 2	4-1469372-2
90°	3 7	3-1469372-7
0°	1 1	1-1469372-1

DIMENSIONS: mm		OPERATING SPEC: 0 PLC #0.2, 1 PLC #0.2, 2 PLC #0.13, 3 PLC #0.005, 4 PLC #0.0200, 5 #0.5	OWN: 17DEC02	Tico Electronics
MATERIAL: ZAMAK 3		FINISH: NICKEL	CD: SZCZESNY 14SEP04	Harrisburg, PA 17105-3608
APPLICATION SPEC: CUSTOMER DRAWING		WEIGHT: -	APPRO: R. PATTERSON 14SEP04	ATCA GUIDE MODULE (REAR TRANSITION MODULE - A2)
SCALE: 3:1		SHEET: 1 OF 2	REV: D	RESTRICTED TO: -

REVOLUTIONS		DATE	BY	APPROV
P	LYA			
-	SEE SHEET 1	-	-	-



DIMENSIONS:		DRAWN BY: SZCZESNY		DATE: 7DEC02	
mm		CHECKED BY: PATTERSON		DATE: 4SEP04	
TOLERANCES UNLESS OTHERWISE SPECIFIED:		APPROVED BY: PATTERSON		DATE: 4SEP04	
0 PLC ±0.2		PRODUCT SPEC:		NAME:	
1 PLC ±0.2		APPLICATION SPEC:		TITLE CASE CODE DRAWING NO	
2 PLC ±0.13		WEIGHT:		A2 00779 1469372	
3 PLC ±0.085		FINISH:		RESTRICTED TO:	
4 PLC ±0.050		MATERIAL:		SCALE: 3:1 SHEET 2 OF 2 REV D	
ANGLES ±0.5		ZAMAK 3		NICKEL	
		CUSTOMER DRAWING			

TYCO ELECTRONICS CORPORATION
 HARRISBURG, PA 17105-3608

ATCA GUIDE MODULE
 (REAR TRANSITION MODULE - A2)