

4

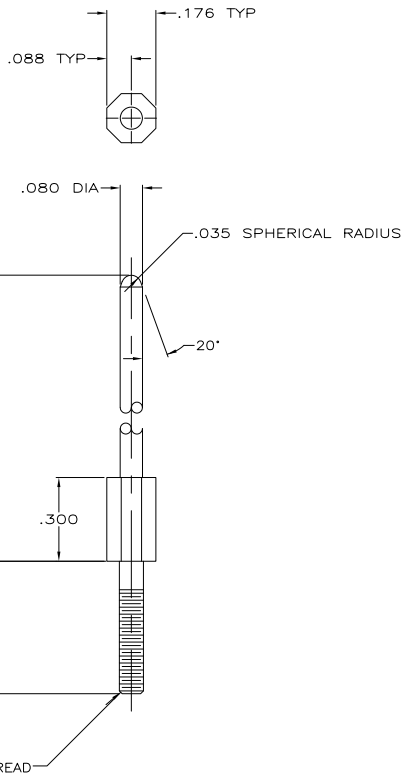
3

2

1

THIS DRAWING IS UNPUBLISHED. RELEASED FOR PUBLICATION. ALL RIGHTS RESERVED.

LOC	DIST	REVISIONS			
P	LR	DESCRIPTION	DATE	BY	APPD
R2		REVISED PER ECO-11-004835	11MAR11	RK	HMR



- 1 MATERIAL : BRASS
- 2 FINISH : .000030 GOLD OVER .000050 NICKEL UNDERPLATE.
- 3 FINISH : .000050 GOLD OVER .000050 -.000100 NICKEL UNDERPLATE.
- 4 FINISH : .000050 -.000100 NICKEL PLATE ALL OVER.
- 5 OBSOLETE PARTS: OBSOLETE CIS STREAMLINING PER D.RENAUD/D.SINISI

OBSOLETE	1.025	.450	PLAIN	2-533082-0
OBSOLETE	.750	.475		1-533082-9
OBSOLETE	.820	.560	PLAIN	1-533082-8
OBSOLETE	.750	.475	PLAIN	1-533082-7
OBSOLETE	1.195	.690		1-533082-6
OBSOLETE	1.195	.690	PLAIN	1-533082-5
OBSOLETE	.850	.560		1-533082-4
OBSOLETE	.850	.560	PLAIN	1-533082-3
OBSOLETE	1.195	.475		1-533082-2
	1.025	.560		1-533082-1
	1.025	.560	PLAIN	1-533082-0
	1.025	.475		533082-9
	1.025	.475	PLAIN	533082-8
	1.195	.475	PLAIN	533082-7
	1.195	.475		533082-6
OBSOLETE	1.025	.375		533082-5
	1.195	.375		533082-4
	1.025	.375		533082-3
OBSOLETE	1.195	.375	PLAIN	533082-2
	1.025	.375	PLAIN	533082-1
	L	A	FINISH	PART NUMBER

THIS DRAWING IS A CONTROLLED DOCUMENT. **DAVID HOFFMAN** 03/20/90
J. D. WEARY 02/07/92
TE Connectivity

AMP-HDI SERIES 100
 KEYING POWER PIN

SIZE: A2 CASE CODE: C=533082
 WEIGHT: --
 CUSTOMER DRAWING

SCALE: 4:1 SHEET: 1 of 1 REV: R2