

4

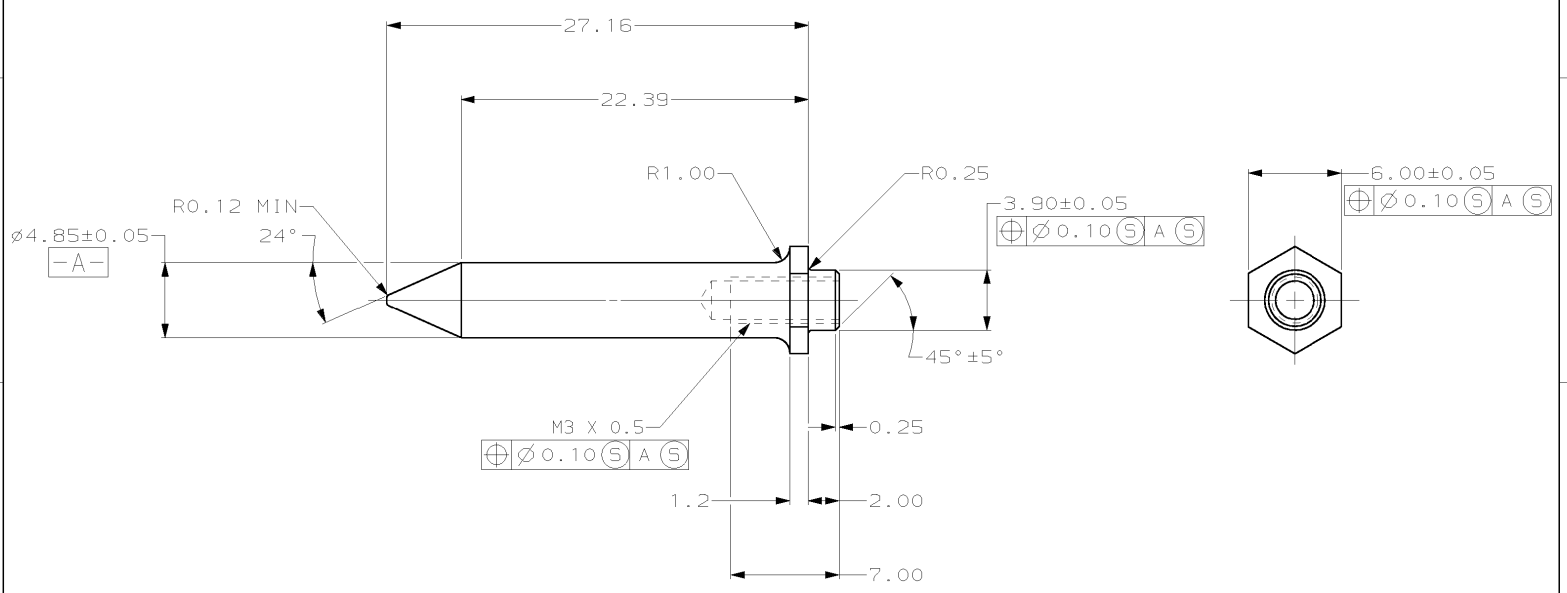
3

2

1

THIS DRAWING IS UNPUBLISHED. RELEASED FOR PUBLICATION .19
 © COPYRIGHT 19 BY AMP INCORPORATED. ALL RIGHTS RESERVED.

LOC	DIST	REVISIONS					
AD	47	P	LTR	DESCRIPTION	DATE	DWN	APVD
		A		REV PER EC 0U1B-0106-99	22 SEP 99	BC	RP
		B		REVISED PER 0U1B-0086-00	05APR00	DKS	RAP



1 MATERIAL: STAINLESS STEEL.
 2 FINISH: PASSIVATE.

2	1	223988-1
FINISH	MATERIAL	PART NUMBER

THIS DRAWING IS A CONTROLLED DOCUMENT.

DIMENSIONS:	TOLERANCES UNLESS OTHERWISE SPECIFIED:	DWN	4-28-99	AMP AMP Incorporated Harrisburg, PA 17105-3608
mm		CHK	4-28-99	
		APVD	4-28-99	
		NAME		
	0 PLC ±	PRODUCT SPEC		GUIDE PIN, UNIVERSAL POWER MODULE
	1 PLC ±	APPLICATION SPEC		
	2 PLC ±0.13	SIZE	CAGE CODE	DRAWING NO
	3 PLC ±	WEIGHT	A3 00779	C-223988
	4 PLC ±	CUSTOMER DRAWING		RESTRICTED TO
	ANGLES ±	SCALE	4:1	SHEET 1 OF 1
		REV		B