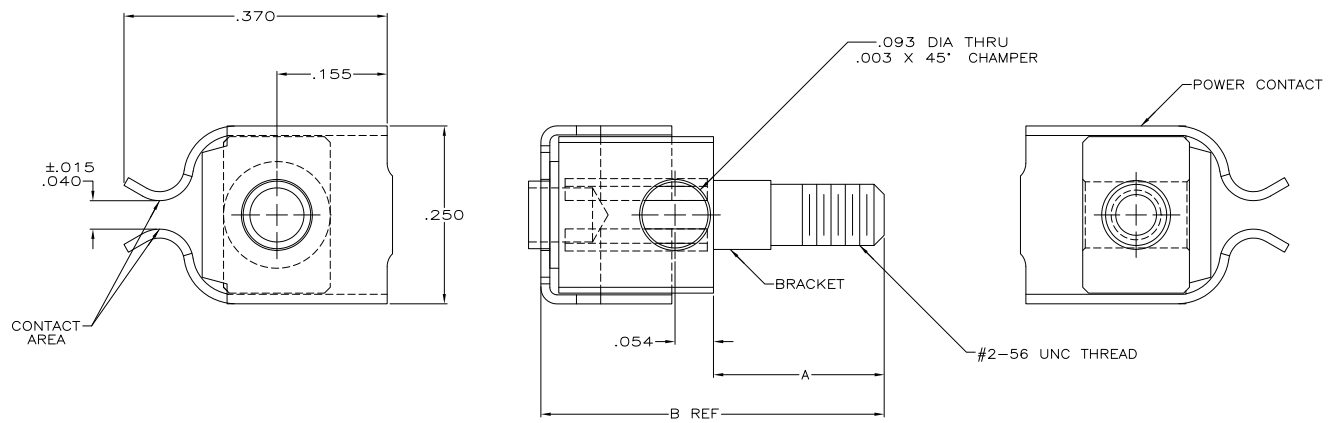


THIS DRAWING IS UNPUBLISHED  
 ALL RIGHTS RESERVED

REV	DATE	DESCRIPTION	BY	CHK
00				
NT		REVISED PER EDD-11-004835	11MMR11	RK HMR



- △ CONTACT MATERIAL: PHOSPHOR BRONZE.
- △ BRACKET MATERIAL: BRASS.
- △ FINISH: .000050 -.000100 NICKEL UNDERPLATE ALL OVER, .000030 GOLD IN CONTACT AREA, GOLD FLASH ON REMAINDER.
- △ FINISH: .000050 -.000100 NICKEL ALL OVER.
- △ FINISH: .000050 -.000100 NICKEL UNDERPLATE ALL OVER, .000050 GOLD IN CONTACT AREA, GOLD FLASH ON REMAINDER.

OBsolete	.613	.360	△	1	532924-1
OBsolete	.646	.395	△	1	532924-0
OBsolete	.678	.325	△		532924-9
OBsolete	.678	.425	△		532924-8
	.478	.225	△		532924-7
OBsolete	.443	.190	△		532924-6
OBsolete	.538	.285	△		532924-5
	.538	.285	△		532924-4
	.578	.325	△		532924-3
	.678	.425	△		532924-1

THIS DRAWING IS A CONTROLLED DOCUMENT. **TE** CONNECTIVITY

DESIGNED BY: J. L. HOFFMAN  
 DRAWN BY: J. L. HOFFMAN

DATE: 11/11/09  
 PROJECT: AMP-HDI SERIES 100 GUIDE PIN POWER CONTACT ASSEMBLY FOR END MOUNTS

SIZE: A1  
 DATE: 11/11/09  
 DRAWING NO: 00779  
 CUSTOMER: CUSTOMER DRAWING

REVISED TO: 11/11/09