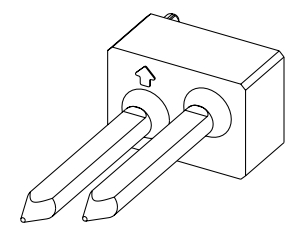
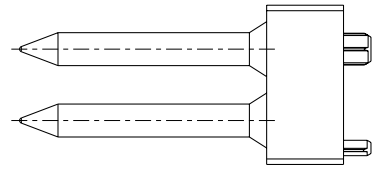
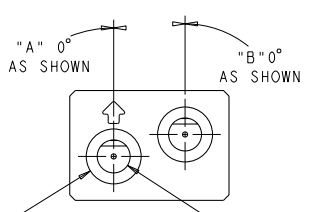
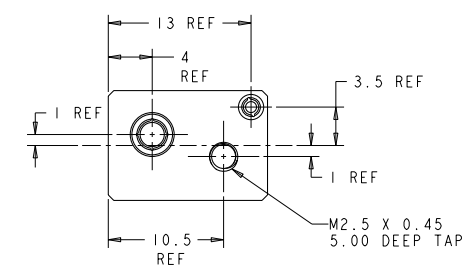
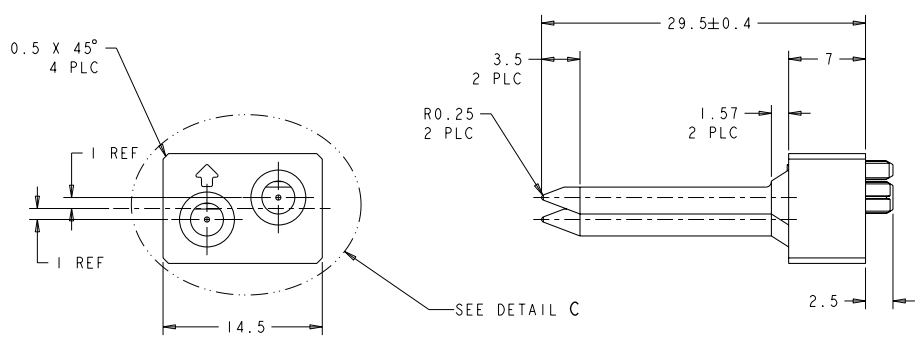
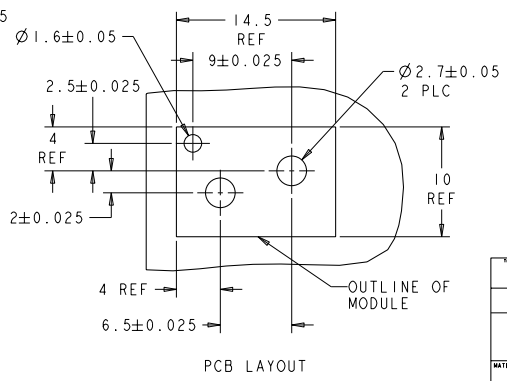


REVOLUTIONS		DATE	BY	APP'D
P	LYA	DESCRIPTION		
0	REV PER EC 0512-0230-04		14SEP2004	BC RP
A	REV PER ECO-07-025283		31OCT2007	BC RP



DETAIL C
SCALE 4:1
1-1469387-1 SHOWN



NOTES:
1. RECOMMENDED MOUNTING HARDWARE - M2.5 X 0.45 SCREW, 4.0MM LONG UP TO 2.9 MM THICK PCB, 6.0MM LONG FOR 3.0 TO 4.0 MM THICK PCB, 8.0MM FOR 4.1 TO 6.0MM THICK PCB, 10.0MM FOR 6.1 TO 8.0MM THICK PCB. (HARDWARE NOT SUPPLIED WITH PART NUMBER)

315°	225°	6-1469387-8
270°	90°	3-1469387-7
0°	0°	1-1469387-1
"B"	"A"	PART NUMBER

<small>TOP DIMENSIONS CONTROLLING DIMENSIONS FOR THE CUSTOMER'S COMPONENT SHALL BE INDICATED FOR THE CUSTOMER'S REVIEW.</small>		DWN D - SZCZESNI 17DEC02 R - PATTERSON 14SEP04 R - PATTERSON 4SEP04 R - PATTERSON 4SEP04	Tyco Electronics Harrisburg, PA 17105-3608
DIMENSIONS: mm	TO DIMENSIONS UNLESS OTHERWISE SPECIFIED: 0 PLC #0.2 1 PLC #0.2 2 PLC #0.13 3 PLC #0.050 4 PLC #0.0200 ANGLES #0.5	PRODUCT SPEC APPLICATION SPEC WEIGHT CUSTOMER DRAWING	ATCA GUIDE MODULE (BACK PLANE - A1)
MATERIAL ZAMAC 3	FINISH NICKEL	SIZE CASE CODE A2 00779	DRAWING NO 1469387 RESTRICTED TO SCALE 2:1 SHEET 1 OF 2 REV A

4

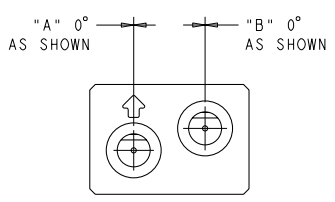
3

2

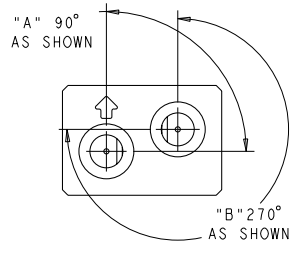
1

THIS DRAWING IS UNPUBLISHED. RELEASED FOR PUBLICATION BY TYCO ELECTRONICS CORPORATION. ALL RIGHTS RESERVED. COPYRIGHT 20

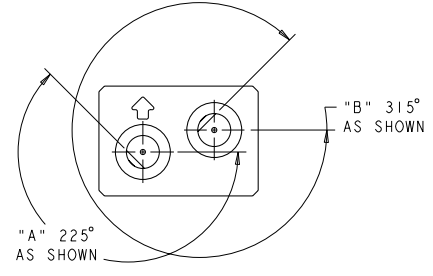
REV	DATE	BY	APPROV	DESCRIPTION
-	-	-	-	SEE SHEET 1



1-1469387-1



3-1469387-7



6-1469387-8

DIMENSIONS: mm		TO MANUFACTURE: 0 PLC #0.2 1 PLC #0.2 2 PLC #0.13 3 PLC #0.050 4 PLC #0.0200 5 #0.5		DWG D SZCZESNY 17DEC02	Tyco Electronics Harrisburg, PA 17105-3608
MATERIAL ZAMAC 3		FINISH NICKEL		NAME R. PATTERSON 14SEP04	TITLE CASE CODE DRAWING NO A2 00779 1469387
APPLICATION SPEC -		PRODUCT SPEC -		RESTRICTED TO -	
WEIGHT -		CUSTOMER DRAWING		SCALE 2:1 SHEET 2 OF 2 REV A	