

4

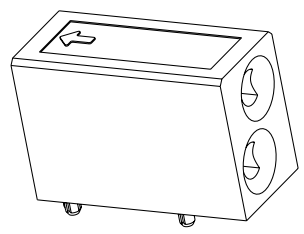
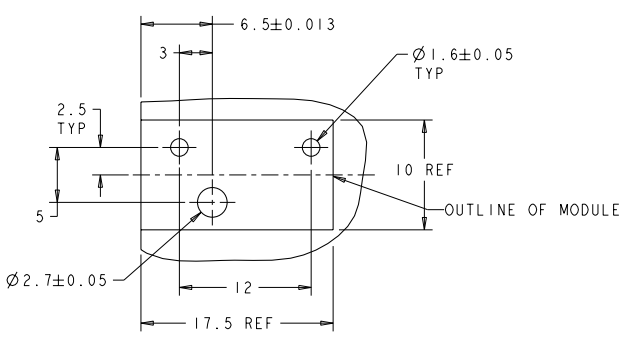
3

2

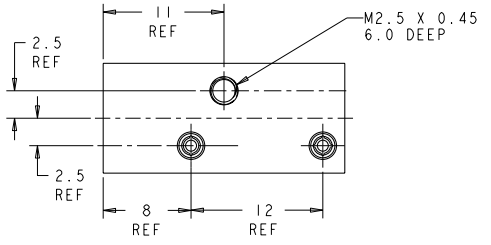
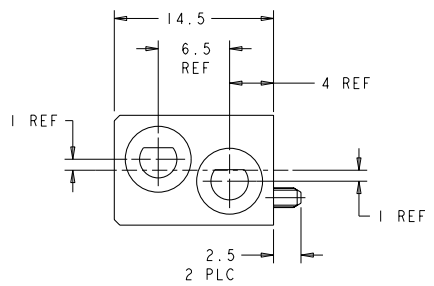
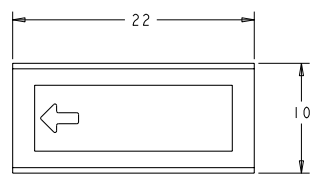
1

THIS DRAWING IS UNPUBLISHED. RELEASED FOR PUBLICATION BY TYCO ELECTRONICS CORPORATION. ALL RIGHTS RESERVED. COPYRIGHT 20

REVOLUTIONS		DATE	BY	APP'D
P	LYA			
E	REV PER ECO-07-029188	10DEC2007	BC	RP



1. RECOMMENDED MOUNTING HARDWARE - M2.5 X 0.45 SCREW, 7.0MM LONG UP TO 2.9 MM THICK PCB, 8.0MM LONG FOR 3.0 TO 4.0 MM THICK PCB, 10.0MM FOR 4.1 TO 6.0MM THICK PCB, 12.0MM FOR 6.1 TO 8.0MM THICK PCB. (HARDWARE NOT SUPPLIED WITH PART NUMBER)
2. ENHANCED VERSION AVAILABLE FOR NEB'S DROP TEST. REFERENCE DRAWING 1469958.



N/A	N/A	UNKEYED	9-1469373-9
225°	315°	6 8	6-1469373-8
180°	180°	5 5	5-1469373-5
135°	45°	4 2	4-1469373-2
90°	270°	3 7	3-1469373-7
0°	0°	1 1	1-1469373-1
"A"	"B"	KEYING POS	PART NUMBER

DIMENSIONS: mm		TO DRAWING SPECIFICATIONS		DWN: SZCZESNY 17DEC02 CD: R. PATTERSON 14SEP04 APP'D: R. PATTERSON 14SEP04 PRODUCT SPEC: R. PATTERSON		Tyco Electronics Harrisburg, PA 17105-3608	
MATERIAL: ZAMAK 3		FINISH: NICKEL		APPLICATION SPEC: -		ATCA GUIDE MODULE (FRONT BOARD - K1/K2)	
WEIGHT: -		CUSTOMER DRAWING		SIZE: A CASE CODE: 00779 DRAWING NO: 1469373		RESTRICTED TO: - SCALE: 4:1 SHEET 1 OF 2 REV E	

4

3

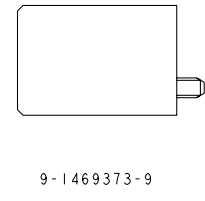
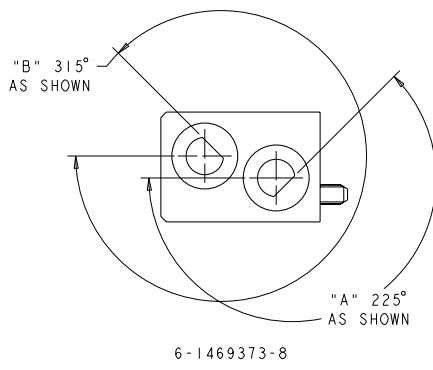
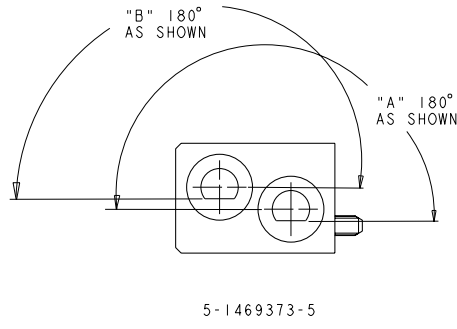
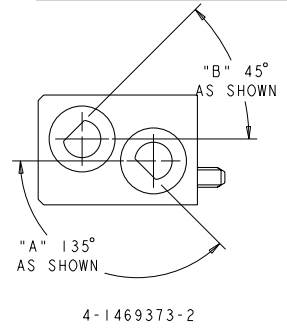
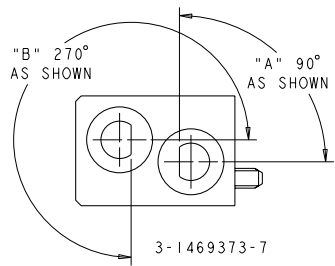
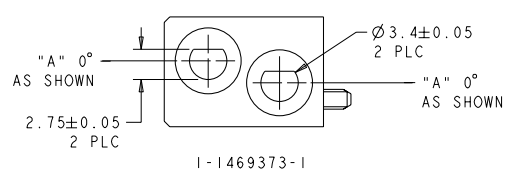
2

1

THIS DRAWING IS UNPUBLISHED. RELEASED FOR PUBLICATION
 BY TYCO ELECTRONICS CORPORATION. ALL RIGHTS RESERVED.
 COPYRIGHT 20

LOC	DIST	REV	DATE	BY	APPR
AD	00				
		1			
		2			
		3			
		4			

REV	DESCRIPTION	DATE	BY	APPR
1	SEE SHEET 1	-	-	-
2				
3				
4				



DIMENSIONS: mm		OPERATING SPEC'S: 0 PLC 40.2 1 PLC 40.5 2 PLC 40.13 3 PLC 40.013 4 PLC 40.0081 ANGLES 40.5		DWG NO. 7DEC02 CD - SZCZESNI R. PATTERSON 14SEP04 R. PATTERSON 14SEP04 PRODUCT SPEC APPLICATION SPEC WEIGHT FINISH		Tyco Electronics Harrisburg, PA 17105-3608 ATCA GUIDE MODULE (FRONT BOARD - K1/K2) SHEET CASE CODE DRAWING NO. A2 00779 1469373 SCALE 4:1 SHEET 2 OF 2 REV E	
MATERIAL ZAMAK 3		NICKEL CUSTOMER DRAWING		RESTRICTED TO		RESTRICTED TO	