

4

3

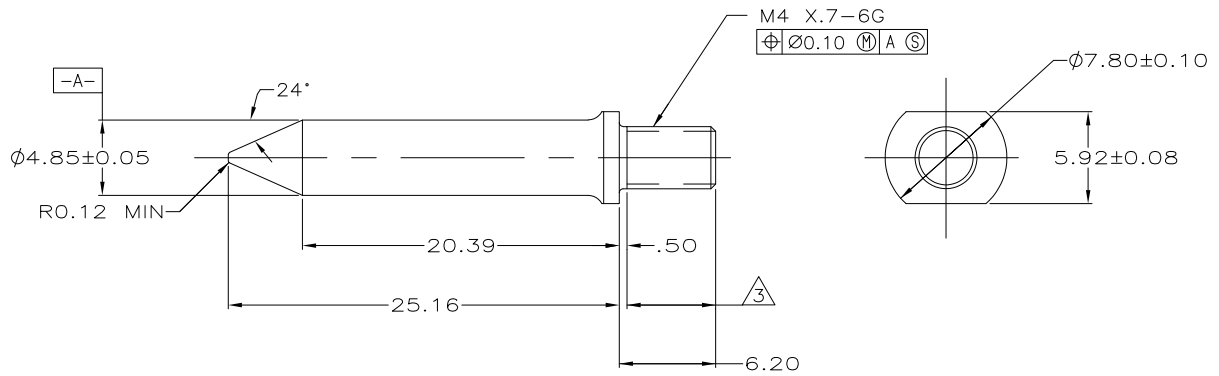
2

1

THIS DRAWING IS UNPUBLISHED. RELEASED FOR PUBLICATION
 © COPYRIGHT - By - ALL RIGHTS RESERVED.

LOC	DIST	REVISIONS			
P	LTR	DESCRIPTION	DATE	DWN	APVD
AD	47				
	E1	REVISED PER ECO-11-004835	11MAR11	RK	HMR

- ① MATERIAL: STAINLESS STEEL.
- ② FINISH: PASSIVATE.
- ③ LOCTITE DRI-LOC 204 APPLIED IN THIS AREA.
- 4. RECOMMENDED P.C. BOARD DRILLED HOLE DIAMETER IS $4.10 \pm 0.08 \text{mm}$ IF APPLYING A NUT FROM THE REAR OF THE BOARD. IF USING WITH PEM NUT P/N KFS2-M4, DRILLED HOLE DIAMETER SHOULD BE $6.4 \pm 0.08 \text{mm}$.



223956-1
 PART NUMBER

THIS DRAWING IS A CONTROLLED DOCUMENT.		DWN	25/JAN/95		 TE Connectivity
		CHK	25/JAN/95		
DIMENSIONS:		D. ZITSCH		NAME	
mm		D. SINISI		GUIDE PIN, UNIVERSAL POWER MODULE	
TOLERANCES UNLESS OTHERWISE SPECIFIED: 0 PLC ± - 1 PLC ± - 2 PLC ± 0.13 3 PLC ± - 4 PLC ± - ANGLES ± 0° 30'		APVD		25/JAN/95	
		PRODUCT SPEC		SIZE	
MATERIAL		APPLICATION SPEC		CAGE CODE	
		WEIGHT		DRAWING NO	
		-		A3 00779 C-223956	
		CUSTOMER DRAWING		RESTRICTED TO	
				-	
		SCALE		SHEET	
		4:1		1 of 1	
				REV	
				E1	