

4

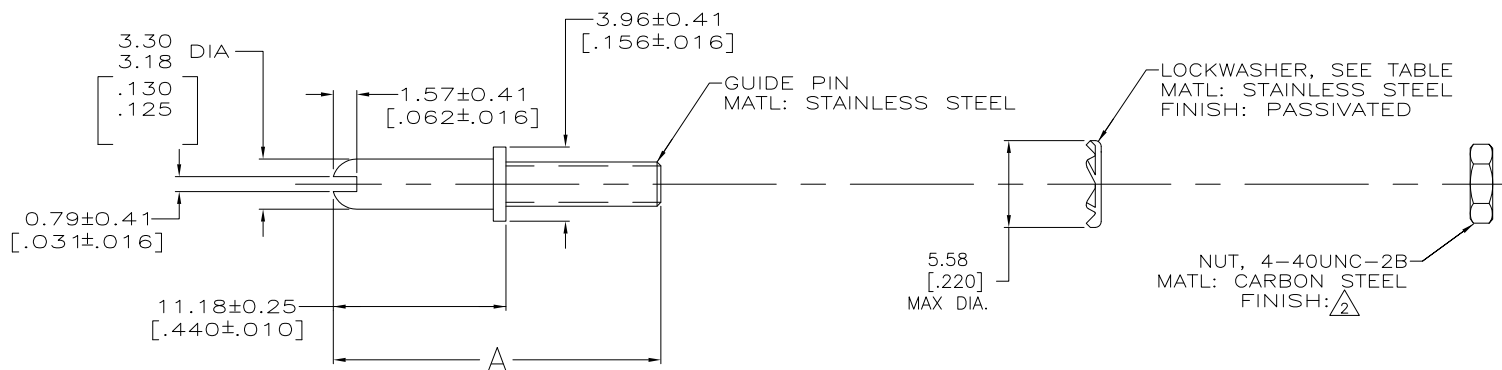
3

2

1

THIS DRAWING IS UNPUBLISHED. RELEASED FOR PUBLICATION
 © COPYRIGHT - BY TYCO ELECTRONICS CORPORATION. ALL INTERNATIONAL RIGHTS RESERVED.

LOC	DIST	REVISIONS					
FT	0	P	LTR	DESCRIPTION	DATE	DWN	APVD
		AA2		REVISED PER ECO-10-021995	05JAN11	HMR	MG



- △ ZINC PLATE WITH NON-HEXAVALENT CHROMIUM.
- △ OBSOLETE PARTS: OBSOLETE CIS STREAMLINING PER D.RENAUD/D.SINISI

SUPERSEDED BY 1-200833-1	△ 3	SUPERSEDED	△ 2	STANDARD	EXTERNAL TOOTH	21.08±0.25 [.830±.010]	1-200833-1
		OBSOLETE	△ 2	SMALL PACK	EXTERNAL TOOTH	21.08±0.25 [.830±.010]	1-200833-0
			-	STANDARD	SPLIT	24.13-24.51 [.950-.965]	200833-8
			△ 2	STANDARD	EXTERNAL TOOTH	21.08±0.25 [.830±.010]	200833-2
				NUT FINISH	PACKAGING TYPE	LOCKWASHER TYPE	A PART NUMBER

THIS DRAWING IS A CONTROLLED DOCUMENT.		DWN	04/19/93	Tyco Electronics Corporation Harrisburg, PA 17105-3608
		CHK	4-23-93	
DIMENSIONS: mm [INCHES]		NAME		GUIDE PIN KIT, UNASSEMBLED, CORNER, MINIATURE RECTANGULAR, M SERIES
TOLERANCES UNLESS OTHERWISE SPECIFIED:		PRODUCT SPEC		
0 PLC ± - 1 PLC ± - 2 PLC ± - 3 PLC ± - 4 PLC ± - ANGLES ± -		APPLICATION SPEC		
MATERIAL SEE CALLOUTS		FINISH SEE CALLOUTS		
		SIZE	CAGE CODE	DRAWING NO
		A3	00779	C-200833
		WEIGHT	RESTRICTED TO	
		CUSTOMER DRAWING		SCALE 4:1 SHEET 1 of 1 REV AA2