

4

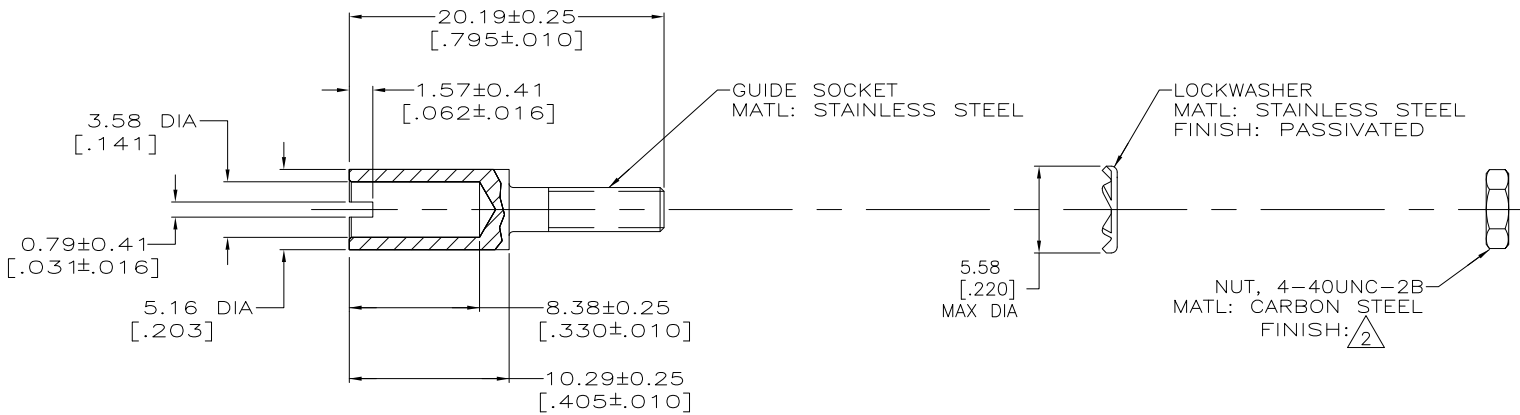
3

2

1

THIS DRAWING IS UNPUBLISHED. RELEASED FOR PUBLICATION
 © COPYRIGHT - BY TYCO ELECTRONICS CORPORATION. ALL INTERNATIONAL RIGHTS RESERVED.

LOC	DIST	REVISIONS				
P	LTR	DESCRIPTION	DATE	DWN	APVD	
FT	0					
	W2	REVISED PER ECO-10-021995	12JAN11	HMR	MG	



△2 ZINC PLATE WITH NON-HEXAVALENT CHROMIUM.

△3 OBSOLETE PARTS: OBSOLETE CIS STREAMLINING PER D.RENAUD/D.SINISI

	△2	STANDARD	1-200835-1
△3 SUPERSEDED	△2	SMALL PACK	1-200835-0
SUPERSEDED BY 1-200835-1	△2	STANDARD	200835-2
		NUT FINISH	PACKAGING TYPE
			PART NO.

THIS DRAWING IS A CONTROLLED DOCUMENT.		DWN D.GELTZ 04/20/93	Tyco Electronics Corporation Harrisburg, PA 17105-3608	
DIMENSIONS: mm [INCHES]		CHK R.STONE 4-23-93	NAME	
TOLERANCES UNLESS OTHERWISE SPECIFIED:		APVD -	PRODUCT SPEC	
0 PLC ± -		APPLICATION SPEC	SIZE	
1 PLC ± -		WEIGHT	CAGE CODE	DRAWING NO
2 PLC ± 0.38 [015]			A3	00779
3 PLC ± -			C=	200835
4 PLC ± -				
ANGLES ± -				
MATERIAL SEE CALLOUTS	FINISH SEE CALLOUTS	CUSTOMER DRAWING	SCALE 4:1	SHEET 1 OF 1
			REV W2	

1470-19 (1/08)