

4

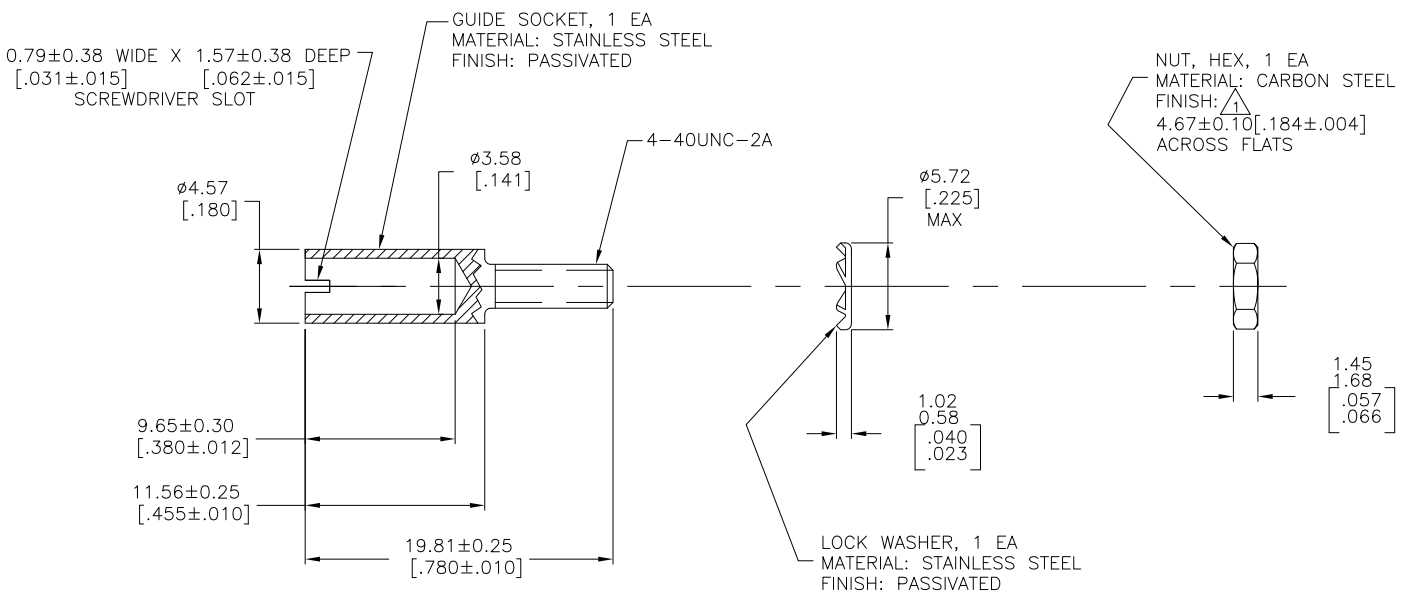
3

2

1

THIS DRAWING IS UNPUBLISHED. RELEASED FOR PUBLICATION
 © COPYRIGHT - BY TYCO ELECTRONICS CORPORATION. ALL INTERNATIONAL RIGHTS RESERVED.

LOC	DIST	REVISIONS				
P	LTR	DESCRIPTION	DATE	DWN	APVD	
FT	0	REVISED PER ECO-10-021995	12JAN11	HMR	MG	



1 ZINC PLATE.

3 SPECIAL PACKAGING - ONE UNASSEMBLED UNIT PER BAG

SUPERSEDED BY 200390-9

3	1-200390-0
	200390-9
	200390-2
	PART NUMBER

THIS DRAWING IS A CONTROLLED DOCUMENT.		DWN W.G.LENKER 1-20-95	Tyco Electronics Corporation Harrisburg, PA 17105-3608	
DIMENSIONS: mm [INCHES]		CHK R.STONE 1-24-95	APVD	
TOLERANCES UNLESS OTHERWISE SPECIFIED:		NAME		
0 PLC	± -	PRODUCT SPEC		
1 PLC	± -	APPLICATION SPEC		
2 PLC	± 0.13 [.005]	SIZE		
3 PLC	± -	CAGE CODE		
4 PLC	± -	DRAWING NO		
ANGLES	± -	RESTRICTED TO		
MATERIAL	FINISH	WEIGHT	A3	00779
SEE CALLOUT	SEE CALLOUT	CUSTOMER DRAWING	SCALE	4:1
		SHEET		1 OF 1
		REV		Y

1470-19 (1/08)