

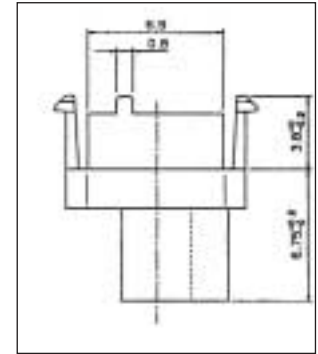
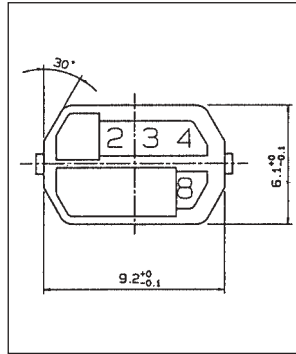
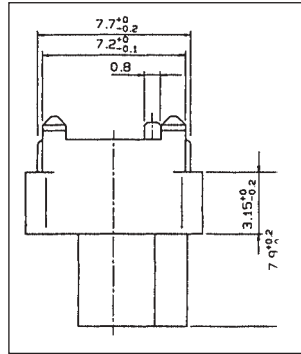
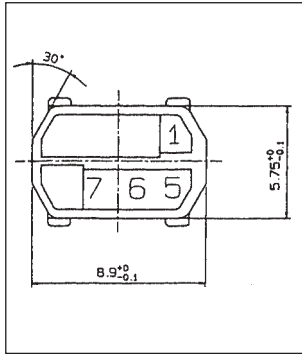
Coding Keys: Type A Male (Backplane) Type A Female (Daughter Card)



Series 8071

CompactPCI® supports two types of voltages (3.3V and 5.0V). Coding keys are used to prevent damage by inserting the wrong boards into a system. Keys are snapped into the center

polarization cavity. 3.3V cards are coded cadmium yellow and 5.0V are brilliant blue.



MALE

101 003	102 006	103 008	104 002
Cadmium Yellow	Brilliant Blue	Pastel Orange	Strawberry Red

FEMALE

101 003	102 006	103 008	104 002
Cadmium Yellow	Brilliant Blue	Pastel Orange	Strawberry Red

Color	Ral Number	Code No.	Key Part Number	Plug/Receptacle
Cadmium Yellow	1021	3456	81 8071 000 101003	Plug 3.3V C-PCI
Brilliant Blue	5007	1567	81 8071 000 102006	Plug 5.0V C-PCI
Pastel Orange	2003	3568	81 8071 000 103008	Plug
Strawberry Red	3018	1248	81 8071 000 104002	Plug
Cadmium Yellow	1021	1278	82 8071 000 101003	Receptacle 3.3V C-PCI
Brilliant Blue	5007	2348	82 8071 000 102006	Receptacle 5.0V C-PCI
Pastel Orange	2003	1247	82 8071 000 103008	Receptacle
Strawberry Red	3018	3567	82 8071 000 104002	Receptacle

