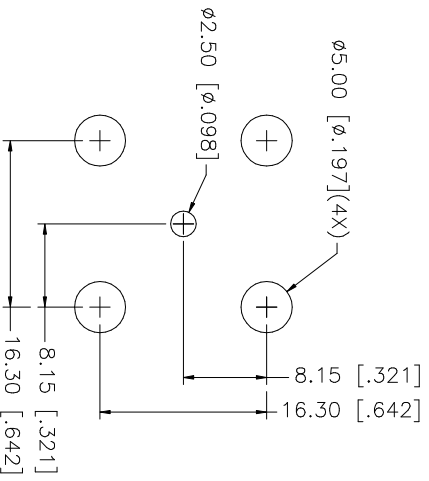
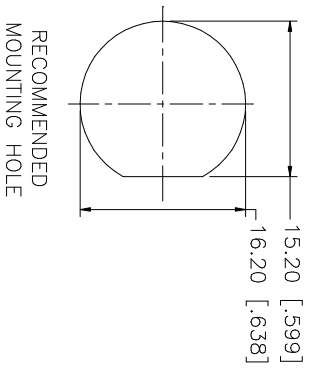
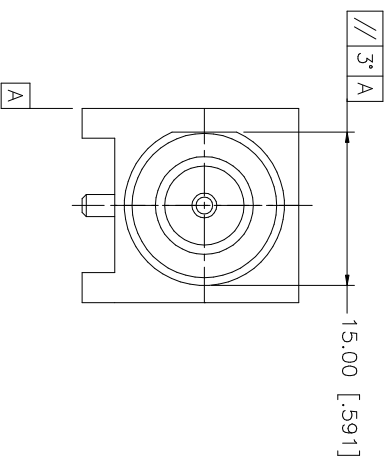
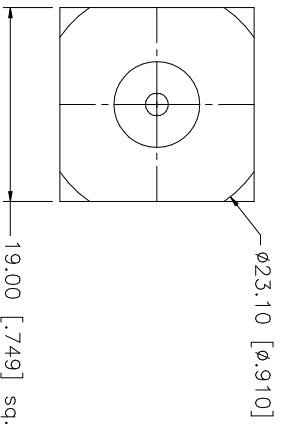
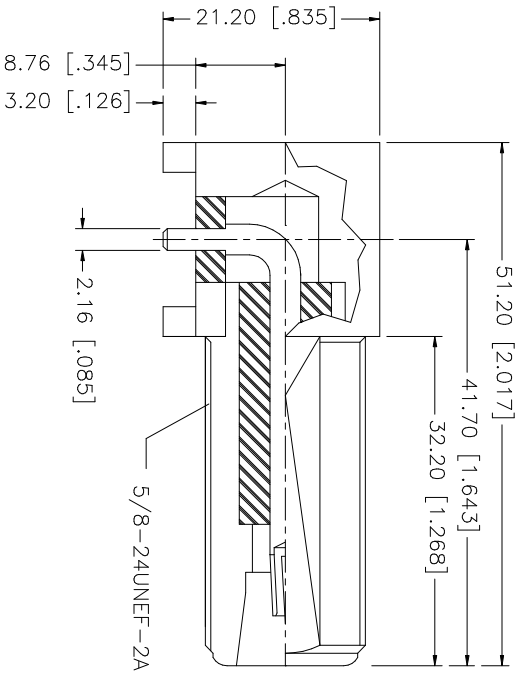


REV.	DATE	DESCRIPTION
A	01/30/04	UPDATE DRAWING FORMAT
B	06/29/06	REVISE PLATING TO BRIGHT TIN



RECOMMENDED
P.C.B. MOUNTING HOLES



QTY	FINISH	MATERIAL	DESCRIPTION
1	GOLD	BER, COPPER	CONTACT PIN
2	NATURAL	TEFLON	INSULATOR
1	BRT. TIN	BRASS	BODY

UNLESS OTHERWISE SPECIFIED DIMENSIONS ARE IN MILLIMETERS DIMENSIONS IN [] ARE IN INCHES AND FOR CUSTOMER REFERENCE ONLY.	UNLESS OTHERWISE SPECIFIED TOLERANCES FOR MILLIMETERS ARE:	UNLESS OTHERWISE SPECIFIED TOLERANCES FOR INCHES ARE:
	0.5 - 8mm ± 0.20mm	.020 - .315 = ± 0.007"
	8 - 30mm ± 0.40mm	.315 - 1.180 = ± 0.015"
	30 - 120mm ± 0.50mm	1.180 - 4.724 = ± 0.020"

APPROVALS	DATE	PART DESCRIPTION
DRAWN G.R.S.	06/29/06	N RIGHT ANGLE JACK
CHECKED		
ISSUED		
SHEET 1 OF 1		

CAD FILE	DWG. NO.	REV. B	SIZE A	SCALE NA
C:/172/172234.DWG	172234.DWG			

Amphenol Connex

N RIGHT ANGLE JACK

172234