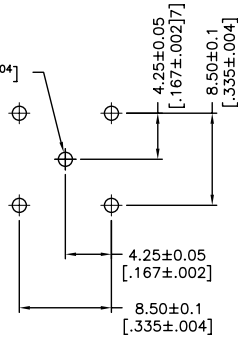
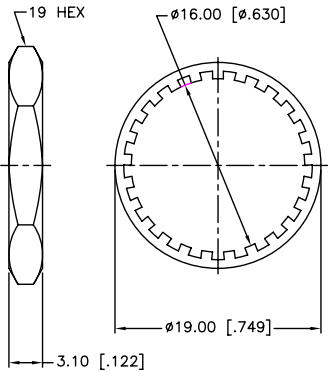
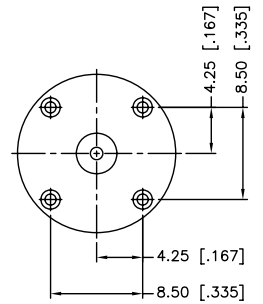
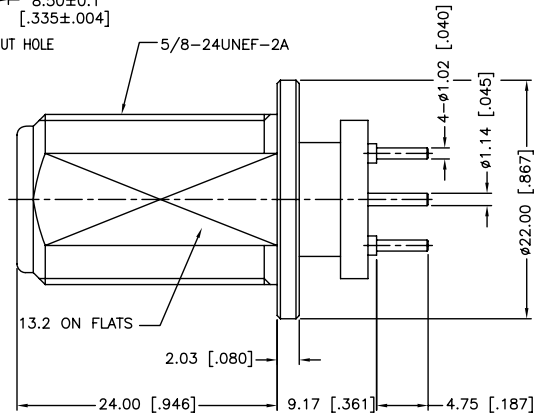
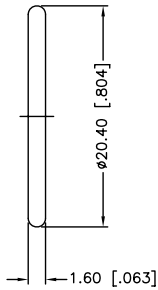


RECOMMENDED MOUNTING HOLE



PCB LAYOUT HOLE



REV.	DATE	ECR NO.	DESCRIPTION
NC	04/28/99	XXXXXX	INITIAL RELEASE
A	06/01/99	XXXXXX	MODIFY PART VIEWS/ADD NOTE 1
B	10/10/06	XXXXXX	UPDATE PART CALL OUT/DRAWING FORMAT
C	5/14/09	XXXXXX	UPDATE BILL OF MATERIAL
D	09/15/10	2097	ADD MOUNTING HOLE AND PCB LAYOUT HOLE

NOTE:

1. MEETS STANDARD N SERIES INTERFACE DIMENSIONS PER MIL-STD-348

QTY	DESCRIPTION	MATERIAL	FINISH	QTY	UNLESS OTHERWISE SPECIFIED DIMENSIONS ARE IN MILLIMETERS DIMENSIONS IN [ ] ARE IN INCHES AND FOR CUSTOMER REFERENCE ONLY.	APPROVALS	DATE	<h1 style="color: blue; margin: 0;">Amphenol Connex</h1>	
8	HEX NUT	BRASS	NEXCOTE	1	UNLESS OTHERWISE SPECIFIED TOLERANCES FOR MILLIMETERS ARE: 0.5 - 8mm ± 0.20mm 8 - 30mm ± 0.40mm 30 - 120mm ± 0.50mm  UNLESS OTHERWISE SPECIFIED TOLERANCES FOR INCHES ARE: .020 - .315 ± 0.007" .315 - 1.180 ± 0.015" 1.180 - 4.724 ± 0.020"				
7	LOCK WASHER	BRASS	NEXCOTE	1		DRAWN	M.ZHANG		09/15/10
6	GASKET	SILICONE	RED	1		CHECKED			
5	PIN	BRASS	BRIGHT TIN	1		ISSUED			
4	INNER BODY	BRASS	NEXCOTE	1		SHEET	1 OF 1		
3	CONTACT PIN	BER. COPPER	GOLD	1				PART DESCRIPTION	
2	INSULATOR	PTFE	NATURAL	1				N BULKHEAD PCB MOUNT RECEPT. JACK	
1	BODY	BRASS	NEXCOTE	1				PART NO.	
								172243	
	DESCRIPTION	MATERIAL	FINISH	QTY	DO NOT SCALE DRAWING	CAD FILE	C:/CONNEX/172243.DWG	DWG. NO.	
								172243.DWG	
								REV. D	
								SIZE A	
								SCALE NA	