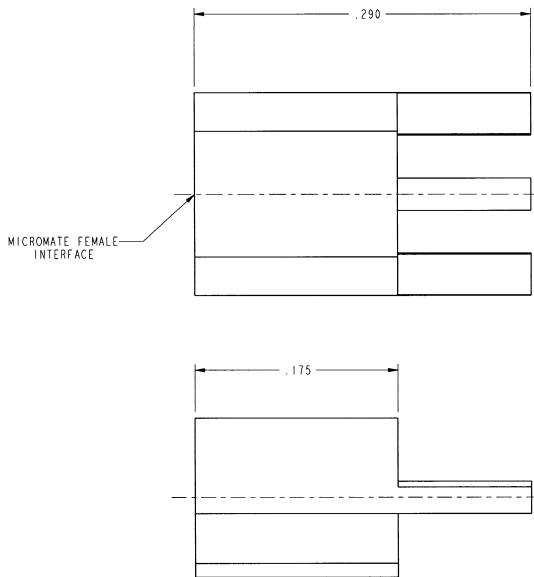


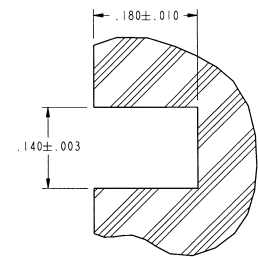
NOTES:

1. DO NOT SCALE THIS DRAWING.
2. MATERIALS OF CONSTRUCTION:
  - BODY: BRASS, GOLD PLATED.
  - CONTACT: BeCu, GOLD PLATED.
  - INSULATOR: PTFE

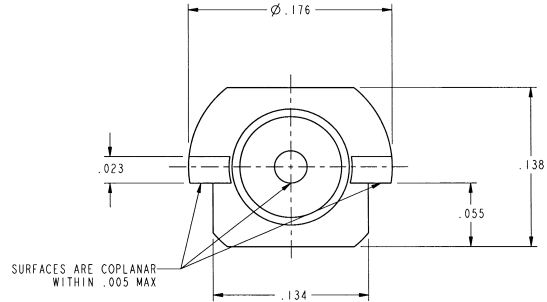


908-22100		REVISIONS			
DRAWING NO.	REV	DESCRIPTION	DATE	ECO	APPR
THIRD ANGLE PROJ.	A	OFFICIAL ENG. RELEASE TO MFG.	03-09-95	40439	GT/RV
	B	1) RE-DRAWN ON PROJE, 2) .023 WAS: .014, 3) .140±.003 WAS: .14, 4) .180±.010 WAS: .18	7/29/96	41433	BCG
	C	ADD COPLANAR REF NOTE	2/2/01	43684	CPM

CUSTOMER OUTLINE DRAWING  
FOR REFERENCE ONLY



RECOMMENDED PCB CUTOUT  
SCALE = 6:1



UNLESS OTHERWISE SPECIFIED, DIMENSIONS ARE IN INCHES AND TOLERANCES ARE: 2 PLACE DECIMAL      3 PLACE DECIMAL      ANGLES ±.015 (0.381 mm)      ±.005 (0.127 mm)      ± 1°	MATERIAL	DRAWN B. GLEISSNER	DATE 20-Jun-96	TITLE MICROMATE JACK PC EDGE MOUNT	<b>Amphenol</b> Amphenol Corporation Communication and Network Products Division Danbury, CT U.S.A. 06810 SCALE: 12.0:1 SHEET 2 OF 2		
	NOTICE - These drawings, specifications, or other data (1) are, and remain the property of Amphenol Corp. (2) must be returned upon request; and (3) are confidential and not to be disclosed to any person other than those to whom they are given by Amphenol Corp. The furnishing of these drawings, specifications, or other data by Amphenol Corp., or to any other person to anyone for any purpose is not to be regarded by implication or otherwise in any manner licensing, granting rights or permitting such holder or any other person to manufacture, use or sell any product, process or design, patented or otherwise, that may in any way be related to or disclosed by said drawings, specifications, or other data.	REFERENCE EAR 964566-0 615X-1323-100 GEN# ASSYF3_MMCX GEN# PCB_CUTOUT	ENGINEER G. TILTON	DATE 21-Jun-95		APPROVED R. VACARRO	DATE 02-Mar-95
		CAD FILE I:\MMCX\908-22100		CODE ID 74868	DWG SIZE B	DRAWING NO. 908-22100	REV C