

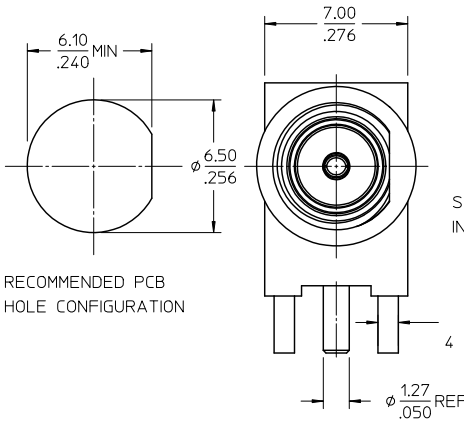
MATERIALS AND FINISHES:

BODY, JAM NUT: BRASS  
FINISH: SEE TABLE

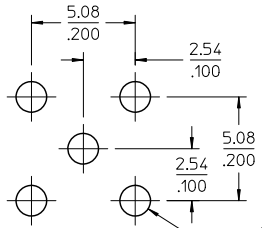
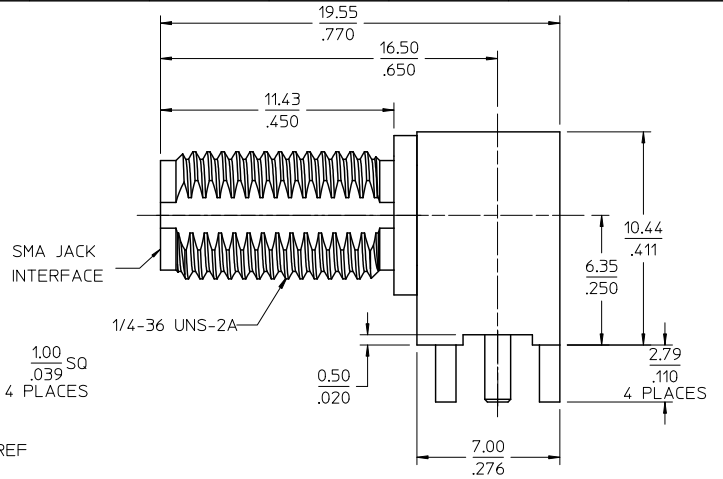
CENTER CONTACT: BERYLLIUM COPPER  
PLATED GOLD

INSULATOR: TEFLON

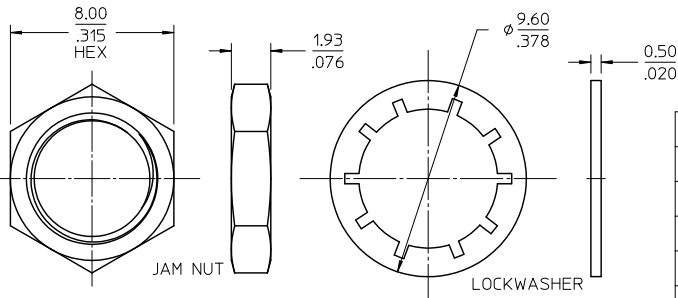
LOCKWASHER: PHOSPHOR BRONZE  
FINISH: SEE TABLE



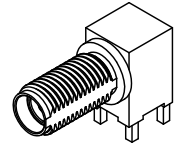
RECOMMENDED PCB HOLE CONFIGURATION



RECOMMENDED PCB HOLE CONFIGURATION 5 PLACES



|            |   |
|------------|---|
| 73251-2206 | SAME AS 73251-2201 EXCEPT COMMERCIAL CONTACT  |
| 73251-2205 | SAME AS 73251-2200 EXCEPT COMMERCIAL CONTACT  |
| 73251-2204 | GOLD FLASH, TRAY (54 CAV.) W/O WASHER AND NUT |
| 73251-2203 | GOLD FLASH, TRAY (54 CAV.)                    |
| 73251-2202 | 73251-2201, TRAY (20 CAV.)                    |
| 73251-2201 | GOLD  |
| 73251-2200 | NICKEL  |
| PART NO.   | PALTING (BODY, NUT, LOCKWASHER)               |



|               |                       |
|---------------|-----------------------|
| PS-73598-0460 | ELECTRO/MECH PERFORM. |
| SPECIFICATION | DESCRIPTION           |

|   |                               |   |   |   |  |  |
|---|-------------------------------|---|---|---|--|--|
| CHG: ADDED -2205 AND -2206<br>EC NO: URF2011-0516<br>DRWN: JLEEDZ<br>CHKD: SSS<br>APPR: JWIENER<br>D8 | QUALITY SYMBOLS<br>▽=0<br>▽=0 | GENERAL TOLERANCES (UNLESS SPECIFIED)<br>mm INCH<br>4 PLACES +--- +---<br>3 PLACES +--- +---<br>2 PLACES +--- +---<br>1 PLACE +--- +---<br>ANGULAR ± 2°                               | DIMENSION STYLE<br>MM/IN<br>DRAWN BY: CLAIRE LEE<br>DATE: 2003/08/29<br>CHECKED BY: PAT<br>DATE: 2003/08/29<br>APPROVED BY: | SCALE: METRIC<br>DESIGN UNITS: METRIC<br>THIRD ANGLE PROJECTION | TITLE: SMA JACK, R/A PCB<br>SMA-J/RA/PCB<br>EWR-2144 | MATERIAL NO.: SEE TABLE<br>DOCUMENT NO.: SD-73251-220<br>SHEET NO.: 1 OF 1 |
|   |                               | DRAFT WHERE APPLICABLE MUST REMAIN WITHIN DIMENSIONS<br>THIS DRAWING CONTAINS INFORMATION THAT IS PROPRIETARY TO MOLEX INCORPORATED AND SHOULD NOT BE USED WITHOUT WRITTEN PERMISSION |   |   |  |  |