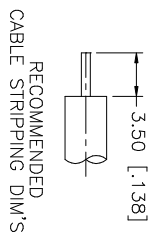
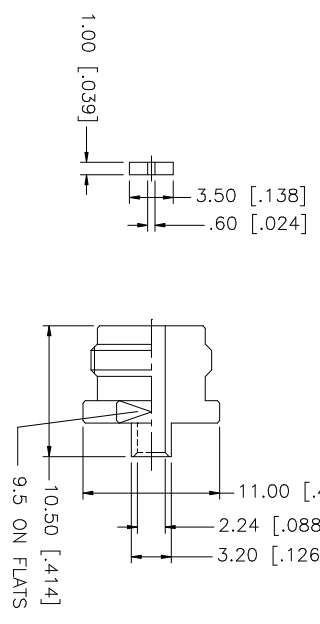
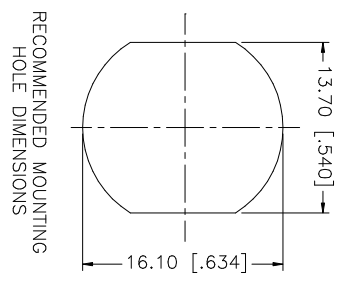
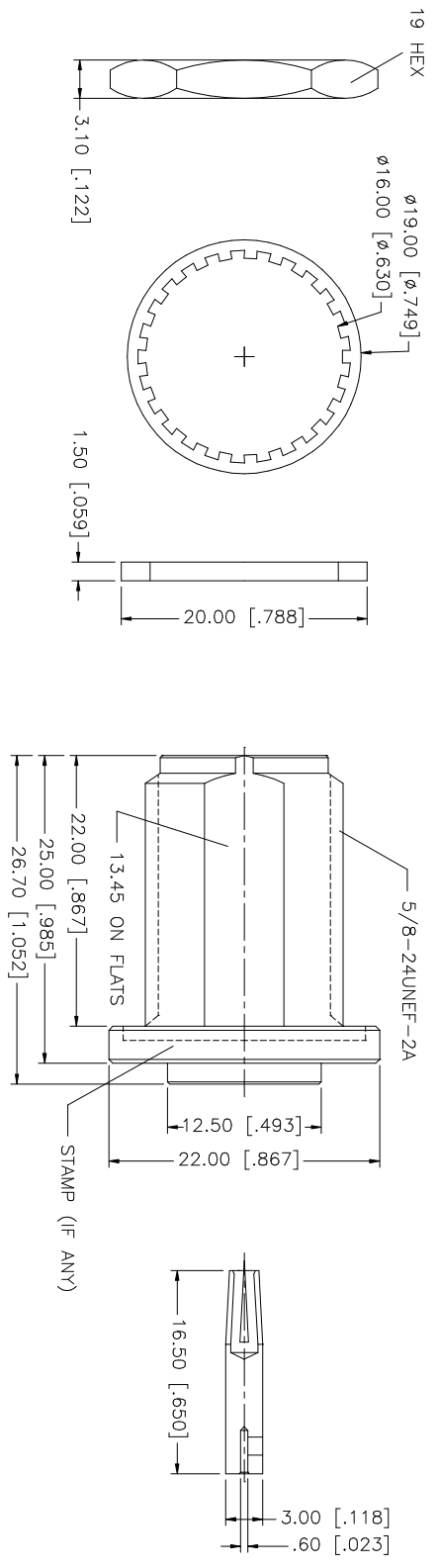


REV.	DATE	DESCRIPTION
A	12/09/03	UPDATE DRAWING FORMAT



NOTES:
1. CONTACT PIN SOLDER

QTY	FINISH	MATERIAL	DESCRIPTION
1	NEXCOTE	BRASS	HEX NUT
1	NEXCOTE	BRASS	LOCK WASHER
1	RED	SILICONE	GASKET
1	GOLD	BRASS	SOLDER NUT
1	NATURAL	TEFLON	INSULATOR
1	GOLD	PHOS. BRONZE	CONTACT PIN
1	NATURAL	TEFLON	INSULATOR
1	NEXCOTE	BRASS	BODY

APPROVALS	DATE	PART DESCRIPTION
DRAWN G.R.S.	12/09/03	N BULKHEAD DIRECT SOLDER JACK (FOR .085", .086" SEMI RIGID CABLE)
CHECKED		
ISSUED		
SHEET 1 OF 1		

DO NOT SCALE DRAWING	QTY	FINISH	MATERIAL	DESCRIPTION
	1	NEXCOTE	BRASS	HEX NUT
	1	NEXCOTE	BRASS	LOCK WASHER
	1	RED	SILICONE	GASKET
	1	GOLD	BRASS	SOLDER NUT
	1	NATURAL	TEFLON	INSULATOR
	1	GOLD	PHOS. BRONZE	CONTACT PIN
	1	NATURAL	TEFLON	INSULATOR
	1	NEXCOTE	BRASS	BODY

UNLESS OTHERWISE SPECIFIED DIMENSIONS ARE IN MILLIMETERS. DIMENSIONS IN [] ARE IN INCHES AND FOR CUSTOMER REFERENCE ONLY. TOLERANCES FOR MILLIMETERS ARE:
0.5 - 8mm ± 0.20mm
8 - 30mm ± 0.40mm
30 - 120mm ± 0.50mm

UNLESS OTHERWISE SPECIFIED DIMENSIONS ARE IN MILLIMETERS. DIMENSIONS IN [] ARE IN INCHES AND FOR CUSTOMER REFERENCE ONLY. TOLERANCES FOR MILLIMETERS ARE:
0.20 - .315 ± ± 0.007"
.315 - 1.180 ± ± 0.015"
1.180 - 4.724 ± ± 0.020"

APPROVALS	DATE	PART DESCRIPTION
DRAWN G.R.S.	12/09/03	N BULKHEAD DIRECT SOLDER JACK (FOR .085", .086" SEMI RIGID CABLE)
CHECKED		
ISSUED		
SHEET 1 OF 1		

CAD FILE	DWG. NO.	REV.	SIZE	SCALE
C:/172/172138.DWG	172138.DWG	A	A	NA

Amphenol **Comnex**

N BULKHEAD DIRECT SOLDER JACK (FOR .085", .086" SEMI RIGID CABLE)

172138