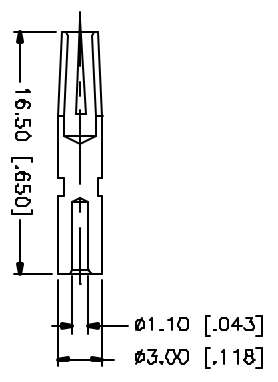
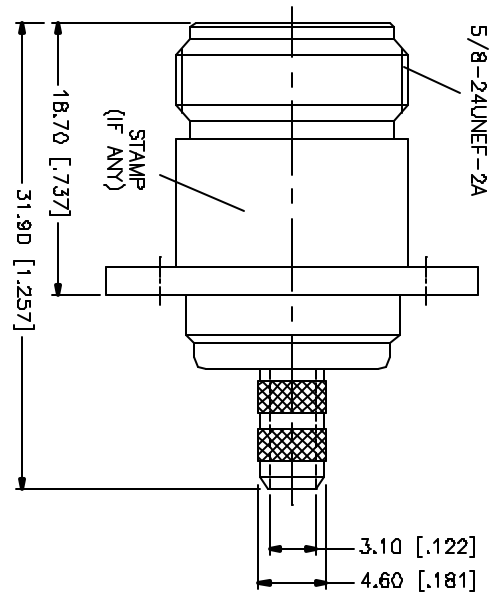
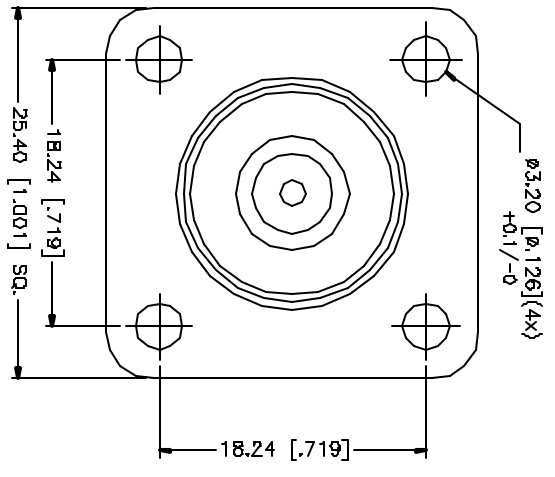
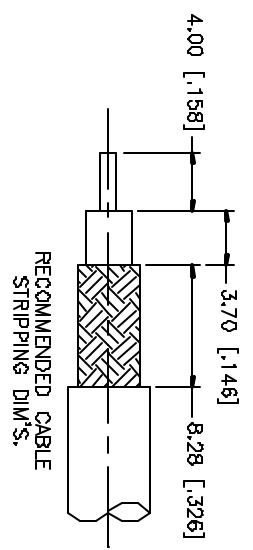
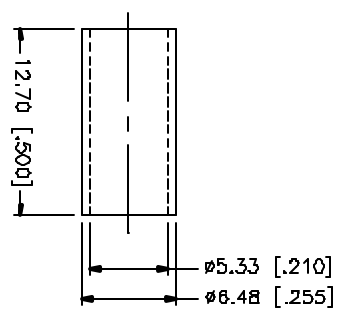


REV.	DATE	DESCRIPTION
A	11/21/03	UPDATE DRAWING FORMAT



- NOTES:
1. CRIMPED FERRULE
HEX. CRIMP SIZE .213"
 2. CRIMPED CONTACT PIN
HEX. CRIMP SIZE .100"



REV.	DATE	DESCRIPTION
B		
7		
6		
5		
4		
3		
2		
1		

REV.	DATE	DESCRIPTION
B		
7		
6		
5		
4		
3		
2		
1		

REV.	DATE	DESCRIPTION
B		
7		
6		
5		
4		
3		
2		
1		

REV.	DATE	DESCRIPTION
B		
7		
6		
5		
4		
3		
2		
1		

REV.	DATE	DESCRIPTION
B		
7		
6		
5		
4		
3		
2		
1		

REV.	DATE	DESCRIPTION
B		
7		
6		
5		
4		
3		
2		
1		

REV.	DATE	DESCRIPTION
B		
7		
6		
5		
4		
3		
2		
1		

REV.	DATE	DESCRIPTION
B		
7		
6		
5		
4		
3		
2		
1		

REV.	DATE	DESCRIPTION
B		
7		
6		
5		
4		
3		
2		
1		

REV.	DATE	DESCRIPTION
B		
7		
6		
5		
4		
3		
2		
1		

REV.	DATE	DESCRIPTION
B		
7		
6		
5		
4		
3		
2		
1		

REV.	DATE	DESCRIPTION
B		
7		
6		
5		
4		
3		
2		
1		

REV.	DATE	DESCRIPTION
B		
7		
6		
5		
4		
3		
2		
1		

REV.	DATE	DESCRIPTION
B		
7		
6		
5		
4		
3		
2		
1		

REV.	DATE	DESCRIPTION
B		
7		
6		
5		
4		
3		
2		
1		

REV.	DATE	DESCRIPTION
B		
7		
6		
5		
4		
3		
2		
1		

REV.	DATE	DESCRIPTION
B		
7		
6		
5		
4		
3		
2		
1		

REV.	DATE	DESCRIPTION
B		
7		
6		
5		
4		
3		
2		
1		

REV.	DATE	DESCRIPTION
B		
7		
6		
5		
4		
3		
2		
1		

REV.	DATE	DESCRIPTION
B		
7		
6		
5		
4		
3		
2		
1		

REV.	DATE	DESCRIPTION
B		
7		
6		
5		
4		
3		
2		
1		

REV.	DATE	DESCRIPTION
B		
7		
6		
5		
4		
3		
2		
1		

REV.	DATE	DESCRIPTION
B		
7		
6		
5		
4		
3		
2		
1		

REV.	DATE	DESCRIPTION
B		
7		
6		
5		
4		
3		
2		
1		

REV.	DATE	DESCRIPTION
B		
7		
6		
5		
4		
3		
2		
1		

REV.	DATE	DESCRIPTION
B		
7		
6		
5		
4		
3		
2		
1		

REV.	DATE	DESCRIPTION
B		
7		
6		
5		
4		
3		
2		
1		

REV.	DATE	DESCRIPTION
B		
7		
6		
5		
4		
3		
2		
1		

REV.	DATE	DESCRIPTION
B		
7		
6		
5		
4		
3		
2		
1		

REV.	DATE	DESCRIPTION
B		
7		
6		
5		
4		
3		
2		
1		

REV.	DATE	DESCRIPTION
B		
7		
6		
5		
4		
3		
2		
1		

REV.	DATE	DESCRIPTION
B		
7		
6		
5		
4		
3		
2		
1		

REV.	DATE	DESCRIPTION
B		
7		
6		
5		
4		
3		
2		
1		

REV.	DATE	DESCRIPTION
B		
7		
6		
5		
4		
3		
2		
1		

REV.	DATE	DESCRIPTION
B		
7		
6		
5		
4		
3		
2		
1		

REV.	DATE	DESCRIPTION
B		
7		
6		
5		
4		
3		
2		
1		

REV.	DATE	DESCRIPTION
B		
7		
6		
5		
4		
3		
2		
1		

REV.	DATE	DESCRIPTION
B		
7		
6		
5		
4		
3		
2		
1		

REV.	DATE	DESCRIPTION
B		
7		
6		
5		
4		
3		
2		
1		

REV.	DATE	DESCRIPTION
B		
7		
6		
5		
4		
3		
2		
1		

REV.	DATE	DESCRIPTION
B		
7		
6		
5		
4		
3		
2		
1		

REV.	DATE	DESCRIPTION
B		
7		
6		
5		
4		
3		
2		
1		

REV.	DATE	DESCRIPTION
B		
7		
6		
5		
4		
3		
2		
1		

REV.	DATE	DESCRIPTION
B		
7		
6		
5		
4		
3		
2		
1		

REV.	DATE	DESCRIPTION
B		
7		
6		
5		
4		
3		
2		
1		

REV.	DATE	DESCRIPTION
B		
7		
6		
5		
4		
3		
2		
1		

REV.	DATE	DESCRIPTION
B		
7		
6		
5		
4		
3		