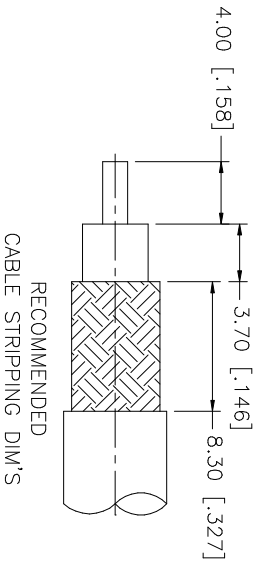
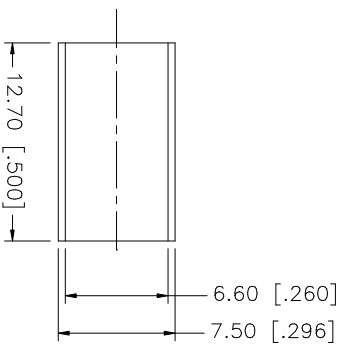
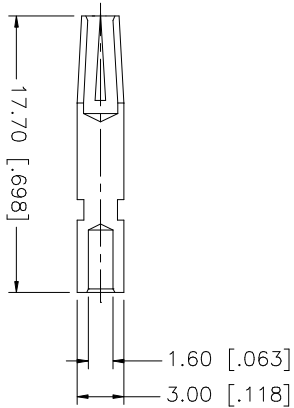
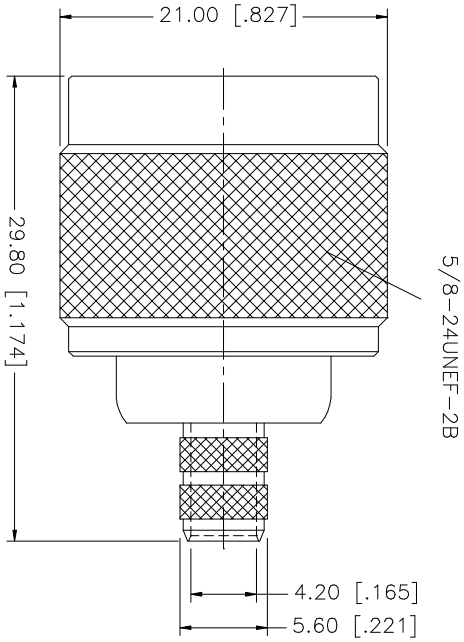


REV.	DATE	DESCRIPTION
NC	10/25/99	INITIAL RELEASE
A	07/20/05	UPDATE DRAWING FORMAT
B	06/29/06	REVISE PLATING TO NEXCOTE



UNLESS OTHERWISE SPECIFIED, DIMENSIONS ARE INCHES AND FOR CUSTOMER REFERENCE ONLY. TOLERANCES FOR MILLIMETERS ARE:

UNLESS OTHERWISE SPECIFIED, DIMENSIONS ARE IN MILLIMETERS AND FOR CUSTOMER REFERENCE ONLY. TOLERANCES FOR INCHES ARE:

UNLESS OTHERWISE SPECIFIED, DIMENSIONS ARE IN MILLIMETERS AND FOR CUSTOMER REFERENCE ONLY. TOLERANCES FOR INCHES ARE:

UNLESS OTHERWISE SPECIFIED, DIMENSIONS ARE IN MILLIMETERS AND FOR CUSTOMER REFERENCE ONLY. TOLERANCES FOR INCHES ARE:

DESCRIPTION	MATERIAL	FINISH	QTY	
1	INSULATOR BODY	TEFLON BRASS	NATURAL NEXCOTE	1
2	CONTACT PIN	PHOS. BRONZE	NICKEL	1
3	FERRULE	COPPER	GOLD	1
4	INSULATOR	TEFLON	NATURAL	1
5	BODY	BRASS	NEXCOTE	1

APPROVALS	DATE
DRAWN G.R.S.	06/29/06
CHECKED	
ISSUED	
SHEET	1 OF 1

Amphenol Connex

N REVERSE POLARITY CRIMP PLUG
(FOR 8X/ LMR 240 CABLE)

172135RP

CAD FILE C:/172/172135RP.DWG

DWG. NO. 172135RP.DWG

REV. B

SIZE A

SCALE NA