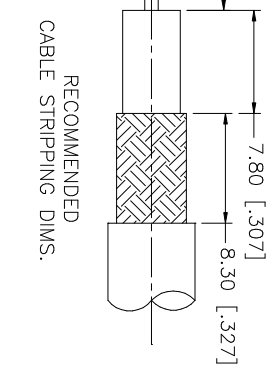
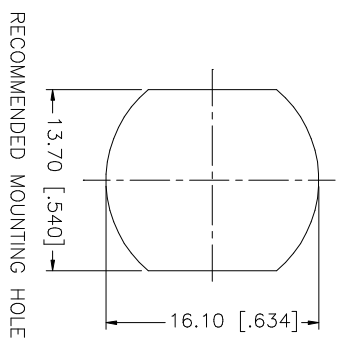
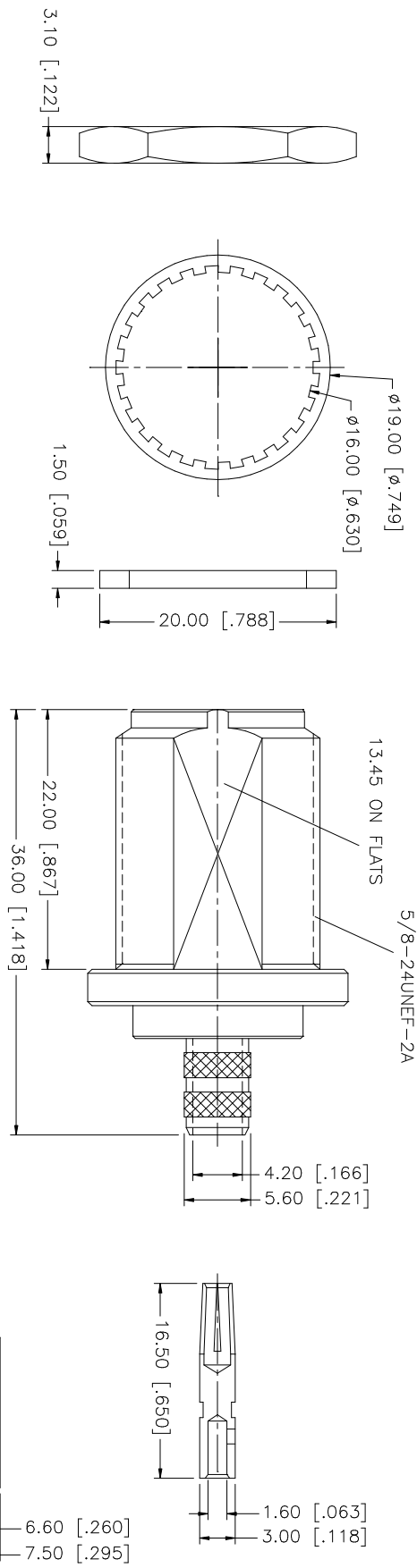


REV.	DATE	DESCRIPTION
A	01/30/04	UPDATE DRAWING FORMAT/ MODIFY STRIPPING DIMS



- NOTE:
1. CRIMPED FERRULE
HEX CRIMP SIZE .255"
 2. CRIMPED CONTACT PIN
HEX CRIMP SIZE .100"

QTY	FINISH	MATERIAL	DESCRIPTION
1	NEXCOTE	COPPER	FERRULE
1	RED	SILICONE	GASKET
1	NEXCOTE	BRASS	HEX NUT
1	NEXCOTE	BRASS	LOCK WASHER
1	GOLD	PHOS. BRONZE	CONTACT PIN
1	NATURAL	TEFLON	INSULATOR
1	NEXCOTE	BRASS	BODY

APPROVALS	DATE
DRAWN G.R.S.	01/30/04
CHECKED	
ISSUED	
SHEET 1 OF 1	

PART DESCRIPTION	PART NO.
N BULKHEAD CRIMP JACK (FOR 8X, LMR 240 CABLE)	172149

UNLESS OTHERWISE SPECIFIED DIMENSIONS ARE IN INCHES AND FOR CUSTOMER REFERENCE ONLY.	UNLESS OTHERWISE SPECIFIED DIMENSIONS ARE IN MILLIMETERS.
TOLERANCES FOR MILLIMETERS ARE:	
0.3 - 8mm ± 0.20mm	
8 - 30mm ± 0.40mm	
30 - 120mm ± 0.50mm	
UNLESS OTHERWISE SPECIFIED DIMENSIONS FOR INCHES ARE:	
.020 - .315 ± 0.007"	
.315 - 1.180 ± 0.015"	
1.180 - 4.724 ± 0.020"	

DO NOT SCALE DRAWING
CAD FILE C:/172/172149.DWG

DWG. NO.	REV.	SIZE	SCALE
172149.DWG	A	A	NA

Amphenol Connex