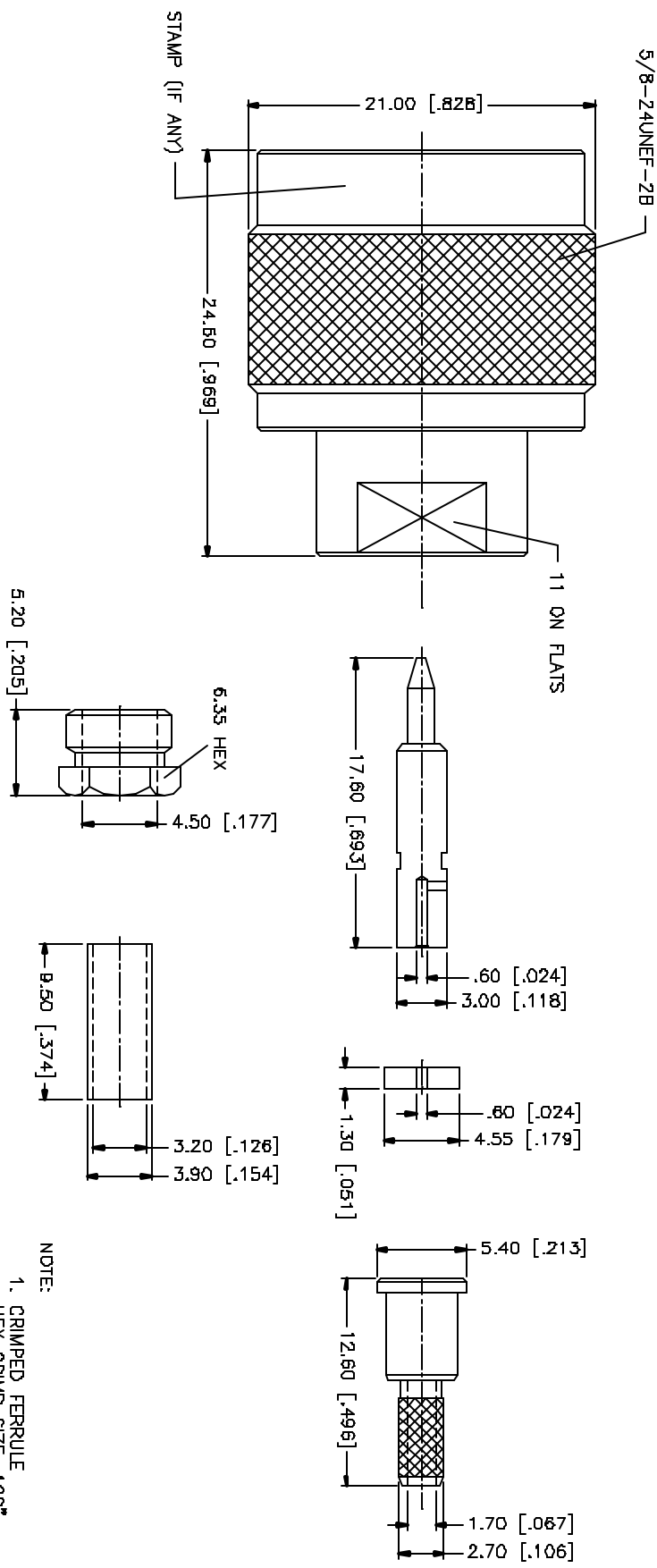
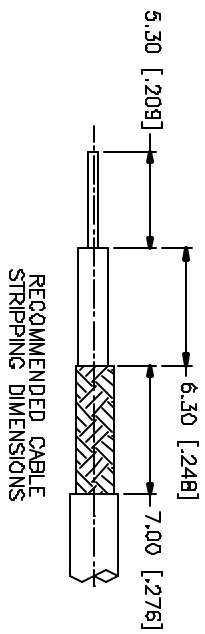


REV.	DATE	DESCRIPTION
NC	05/10/04	INITIAL RELEASE



- NOTE:
1. CRIMPED FERRULE  
HEX CRIMP SIZE .128\*
  2. CRIMPED CONTACT PIN  
HEX CRIMP SIZE .100\*

QTY	FINISH	MATERIAL	DESCRIPTION
1	NEXCOTE	BRASS	SHELL/BODY
2	NATURAL	TEFLON	INSULATOR
1	NEXCOTE	BRASS	CONTACT PIN
1	NEXCOTE	BRASS	BARREL
1	NEXCOTE	BRASS	HEX NUT
1	NEXCOTE	COPPER	FERRULE

UNLESS OTHERWISE SPECIFIED, DIMENSIONS ARE IN MILLIMETERS (INCHES IN [ ] ARE IN INCHES AND FOR APPROVED SUPPLIERS ONLY.)

UNLESS OTHERWISE SPECIFIED, TOLERANCES ARE:

D.5 - .8mm ± 0.20mm  
 B - .30mm ± 0.40mm  
 .30 - 1.20mm ± 0.50mm

UNLESS OTHERWISE SPECIFIED, TOLERANCES FOR ANGLES ARE:

.020° - .315° ± 0.005°  
 .315° - 1.180° ± 0.015°  
 1.180° - 4.724° ± 0.020°

DO NOT SCALE DRAWINGS

CAD FILE: G:/172/172128.DWG

APPROVALS	DATE
G.R.S.	05/10/04

DWG. NO.: 172128.DWG

REV: NC

SIZE: A

SCALE: NA

**Amphenol** **Comnex**

PART DESCRIPTION: N CRIMP PLUG (FOR RG-174/U, 188A/U, 316/U)

PART NO.: 172128