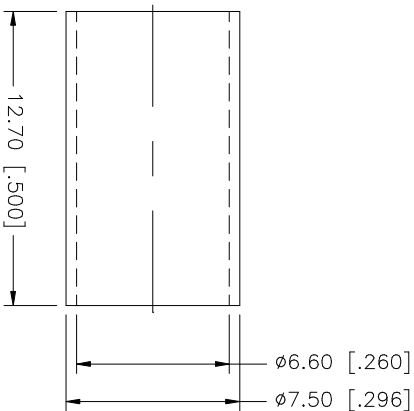
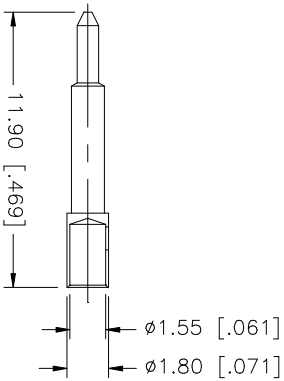
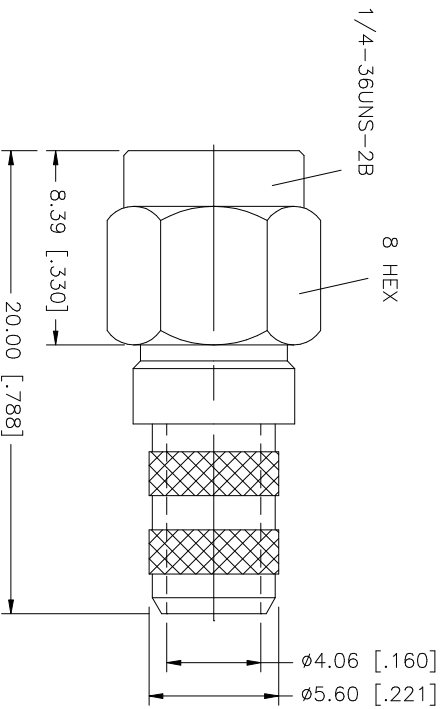
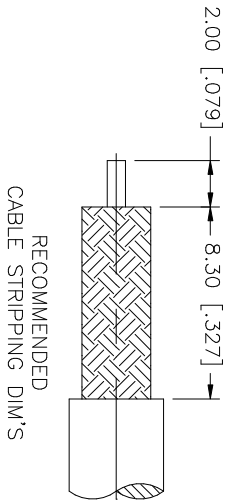


REV.	DATE	DESCRIPTION
A	11/26/03	UPDATE DRAWING FORMAT



- NOTES:
1. CRIMPED FERRULE
HEX CRIMP SIZE .255"
 2. CONTACT PIN TO SOLDER

QTY	FINISH	MATERIAL	DESCRIPTION
1	GOLD	BRASS	FERRULE
1	GOLD	BRASS	HEX NUT
1	GOLD	BRASS	LOCK WASHER
1	GOLD	PHOS. BRONZE	CONTACT PIN
1	NATURAL	TEFLON	INSULATOR
1	GOLD	BRASS	HOUSING/BODY
			DESCRIPTION

APPROVALS	DATE
DRAWN G.R.S.	11/26/03
CHECKED	
ISSUED	
SHEET 1 OF 1	

UNLESS OTHERWISE SPECIFIED DIMENSIONS ARE IN INCHES AND FOR CUSTOMER REFERENCE ONLY.	UNLESS OTHERWISE SPECIFIED TOLERANCES FOR MILLIMETERS ARE:	UNLESS OTHERWISE SPECIFIED TOLERANCES FOR INCHES ARE:
0.5 - 8mm ± 0.20mm	8 - 30mm ± 0.40mm	30 - 120mm ± 0.50mm
UNLESS OTHERWISE SPECIFIED TOLERANCES FOR INCHES ARE:		
.020 - .315 = ± 0.007"	.315 - 1.180 = ± 0.015"	1.180 - 4.724 = ± 0.020"

CAD FILE	DWG. NO.	REV.	SIZE	SCALE
C:/132/132231.DWG	132231.DWG	NC	A	NA

PART DESCRIPTION	PART NO.
SMA CRIMP PLUG (FOR RG-8/X, LMR-240)	132231