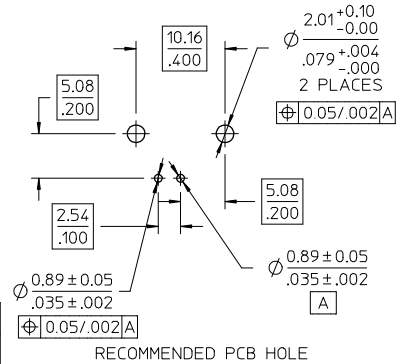
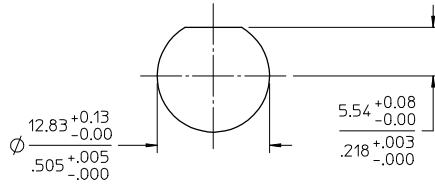
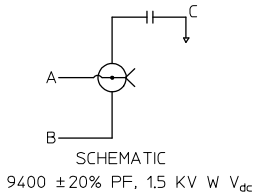
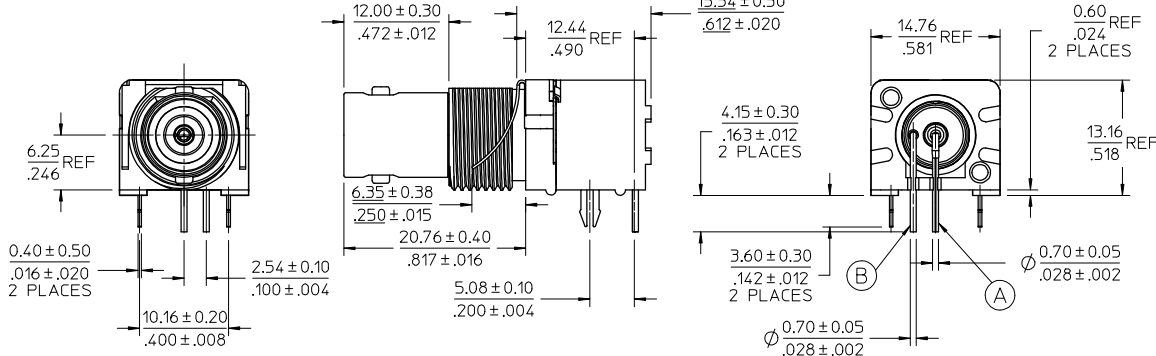
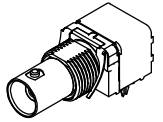
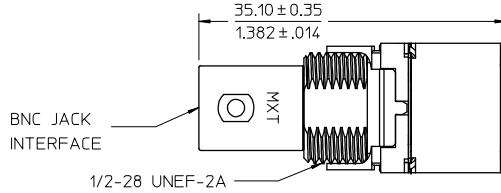


13 12 11 10 9 8 7 6 5 4 3 2 1

MATERIALS AND FINISHES

- BODY ZINC ALLOY  
PLATED NICKEL
- CENTER CONTACT PHOSPHOR BRONZE  
PLATED GOLD
- INSULATOR POLYPROPYLENE (94 V-2)
- HOUSING VALOX 420-SEO  
COLOR BLACK
- SOLDER TAIL COPPER OVER STEEL WIRE  
PLATED TIN
- FRONT CLIP PHOSPHOR BRONZE  
PLATED NICKEL
- CHIP CAPACITOR MULTILAYER CERAMIC
- BOARD CLIP PHOSPHOR BRONZE  
PLATED TIN



ES-73599-0000	INTERFACE
PS-73598-0010	ELECTRO/MECH PERFORM.
SPECIFICATION	DESCRIPTION

73171-3030	73100-0090, ONE PER BAG
73100-0090	TRAY
PART NO.	PACKAGING

CHG: ADDED 94 V-2 TO MATERIALS TO MATERIALS .217 PANEL WAS 2.17	EC NO. UPE2008-0413 2008/02/08	DRAWN: JWEENER 2008/02/08	CHKD: SJWAP 2008/02/08	APPR: JWEENER 2008/02/11	QUALITY SYMBOLS ▽=0 ▽=0	GENERAL TOLERANCES (UNLESS SPECIFIED)			DIMENSION STYLE MM/IN		SCALE	DESIGN UNITS METRIC	THIRD ANGLE PROJECTION
						4 PLACES ± . . .	3 PLACES ± . . .	2 PLACES ± . . .	1 PLACE ± . . .	ANGULAR ± 2 °	DRAWN BY ROGER	DATE 1994/10/13	TITLE BNC JACK, R/A RECEPTACLE 50 OHMS FILTER BNC-J/PCB/RA/BK
DRAFT WHERE APPLICABLE MUST REMAIN WITHIN DIMENSIONS						SEE TABLE	MATERIAL NO.	DOCUMENT NO.	SD-73100-0090		SHEET NO. 1 OF 1		
THIS DRAWING CONTAINS INFORMATION THAT IS PROPRIETARY TO MOLEX INCORPORATED AND SHOULD NOT BE USED WITHOUT WRITTEN PERMISSION													