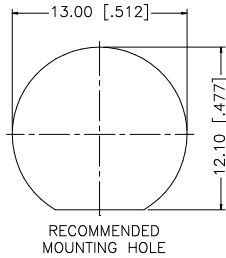
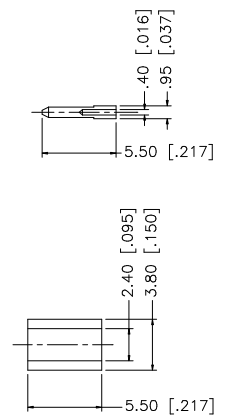
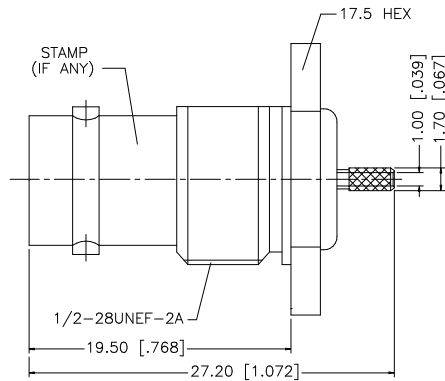
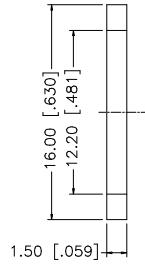
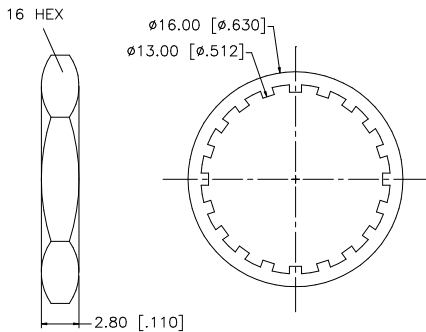
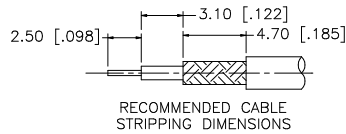


REV.	DATE	DESCRIPTION
A	09/07/04	UPDATE DRAWING FORMAT
B	10/02/06	REVISE CABLE DESCRIPTION TO RG-178/U AND 196/U



QTY	DESCRIPTION	MATERIAL	FINISH	QTY	UNLESS OTHERWISE SPECIFIED DIMENSIONS ARE IN MILLIMETERS. DIMENSIONS IN [] ARE IN INCHES AND FOR CUSTOMER REFERENCE ONLY.	APPROVALS	DATE	Amphenol Connex	
8	FERRULE	COPPER	NICKEL	1	UNLESS OTHERWISE SPECIFIED TOLERANCES FOR MILLIMETERS ARE: 0.5 - 8mm ± 0.20mm 8 - 30mm ± 0.40mm 30 - 120mm ± 0.50mm UNLESS OTHERWISE SPECIFIED TOLERANCES FOR INCHES ARE: .020 - .315 = ± 0.007" .315 - 1.180 = ± 0.015" 1.180 - 4.724 = ± 0.020"	DRAWN	G.R.S.		10/02/06
7	HEX NUT	BRASS	NICKEL	1		CHECKED			PART DESCRIPTION
6	LOCK WASHER	BRASS	NICKEL	1		ISSUED			BNC BULKHEAD CRIMP JACK (FOR RG-178/U, 196/U CABLE)
5	GASKET	RUBBER	RED	1		SHEET	1 OF 1		PART NO.
4	CONTACT PIN	BRASS	GOLD	1					112522
3	CONTACT PIN	PHOS. BRONZE	GOLD	1				DWG. NO.	
2	INSULATOR	TEFLON	NATURAL	1				112522.DWG	
1	BODY/HOUSING	BRASS	NICKEL	1				REV. B	
					DO NOT SCALE DRAWING			SIZE A	
								SCALE NA	